

YOUR DATA

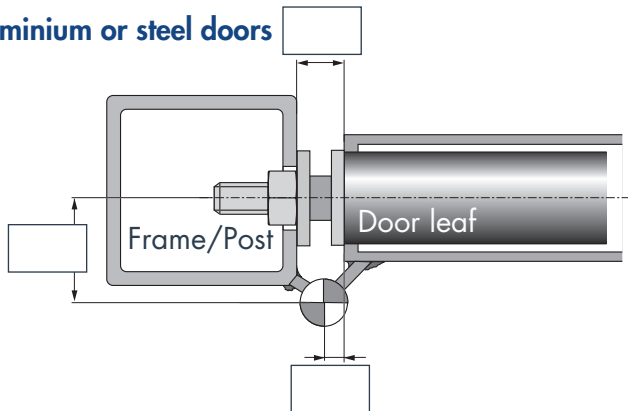
Company:
 Contact person:
 Telephone:
 Email:
 Object:

DOOR/GATE DATA

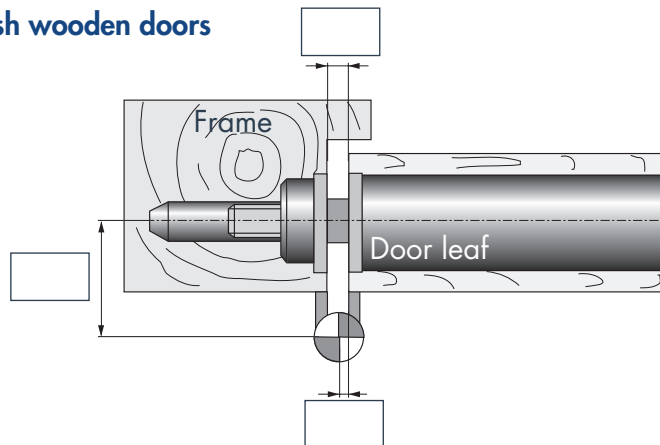
Width of door leaf: mm
 Weight of door leaf: ca. kg
 Desired opening angle: °
 DIN door type: rechts links
 Installation position of tube door closer:
 bottom middle top

Please choose your hinge situation and enter the dimensions:

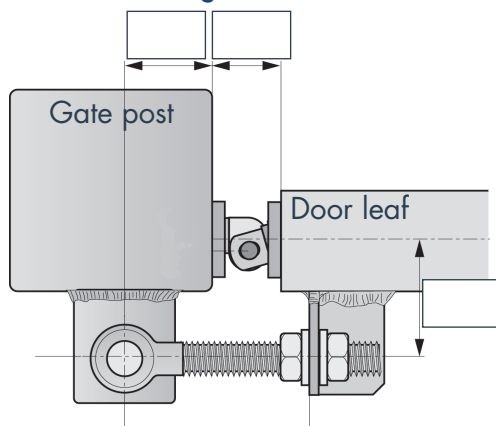
a) Aluminium or steel doors



b) Flush wooden doors



c) Gates with screw hinges



PHOTOS

Please include photos showing the door/gate on both sides.