

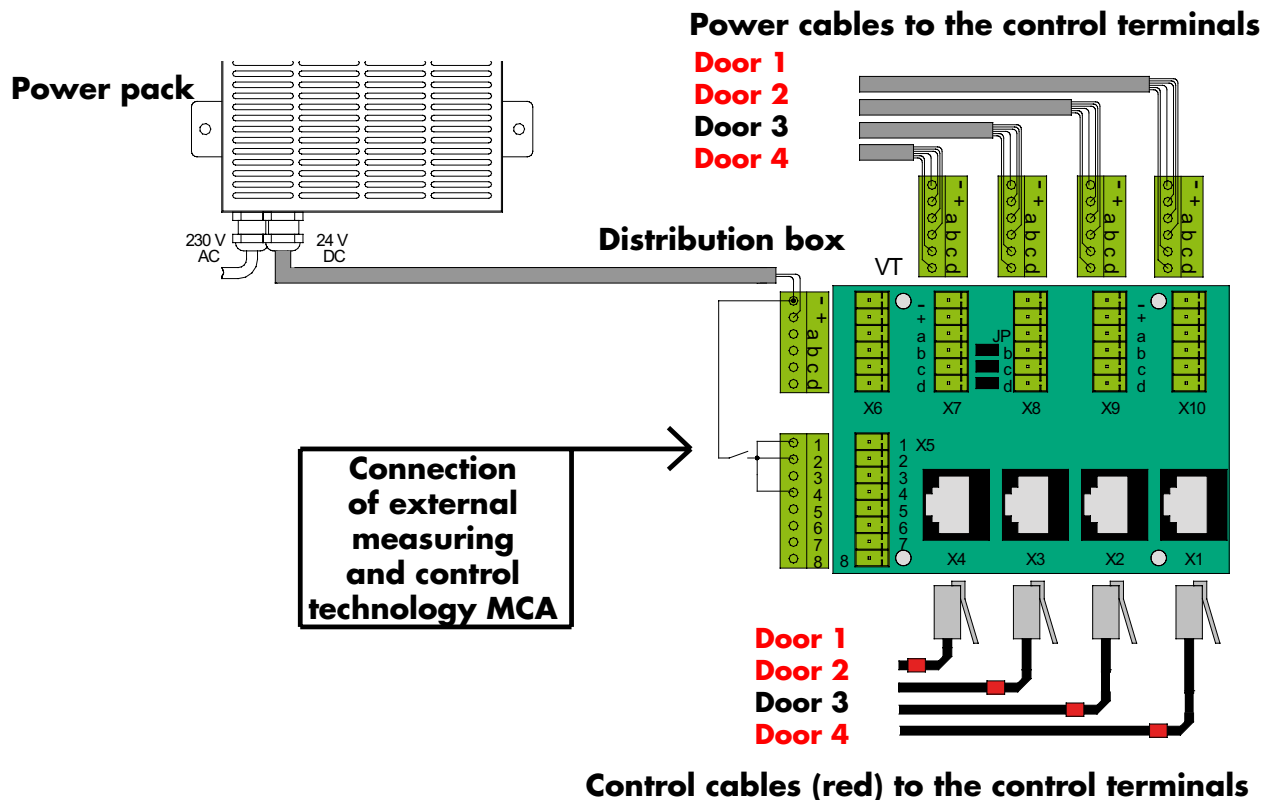
## Connection of External Measuring and Control Technology (MCA)

In interlock systems it can be necessary that certain doors are temporarily locked by external control systems. Examples are:

- Doors may only be opened after there is a certain air quality, temperature or similar inside the room.
- Systems for access control that lock certain doors, if there is more than one person in the lock.
- A management facility system locks certain doors at certain times of day.

The doors that have to be locked temporarily by the external measuring and control system are determined on the terminal strip X5. When the measuring and control system sends a locking command, the determined doors are connected to "-" (minus) (terminal strip X6) and thus locked.

In case there are installed several distribution boxes in the interlock system, this circuit has to be realized in ONE distribution box only!



### Example

In the above shown wiring diagram the doors 1, 2 and 4 can be locked by the measuring and control system MCA. Door 3 is not included and therefore will not be locked.

The corresponding placing of the jumpers allows any combination.