

Connection of Door Operator(s)

General Notes

If there is integrated a door operator in the interlock control system, the emergency-open function for the door operator has to be realized by a separate switch which will interrupt the complete power supply (230 VAC) of the door operator!

The type of terminals to be used are those without emergency-open switch. To connect the door operator there is interconnected a separate coupling relay (part no. 710945) between control terminal and door operator. When there is triggered an opening command a contact closes in the coupling relay. The coupling relay and the electric strike are connected to the control terminal with the connection cable blue.

For the power supply the 2 core cable is sufficient.

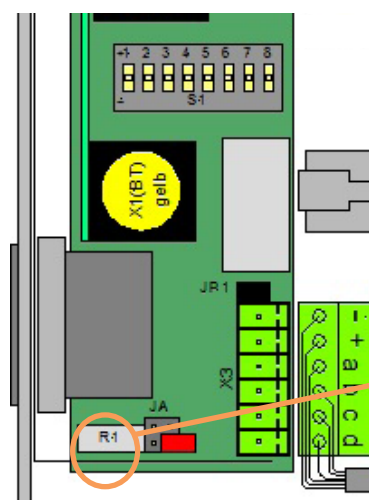
The cables to the electric strike and the coupling relay have to be provided on site.

Requirements the Door Operator Has to Meet

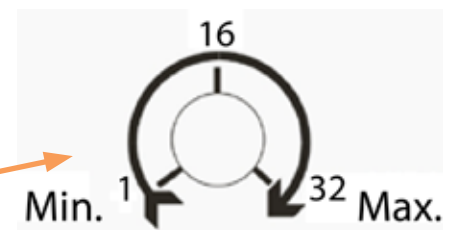
- The door operator offers an automatic closing (the terminal of the interlock control system only gives an opening pulse) or it has a separate control device for a closing command.
- The door operator should have a signal output "door closed" (NO) => connection of the yellow and black lead of the blue connection cable.

If the door operator doesn't have a feedback contact, the yellow and black lead are connected either to the feedback contact of the door locking device or of a separate feedback contact (door closed - NO) as shown in the wiring diagram on the next page.

Adjusting the Control Terminal (Basic)



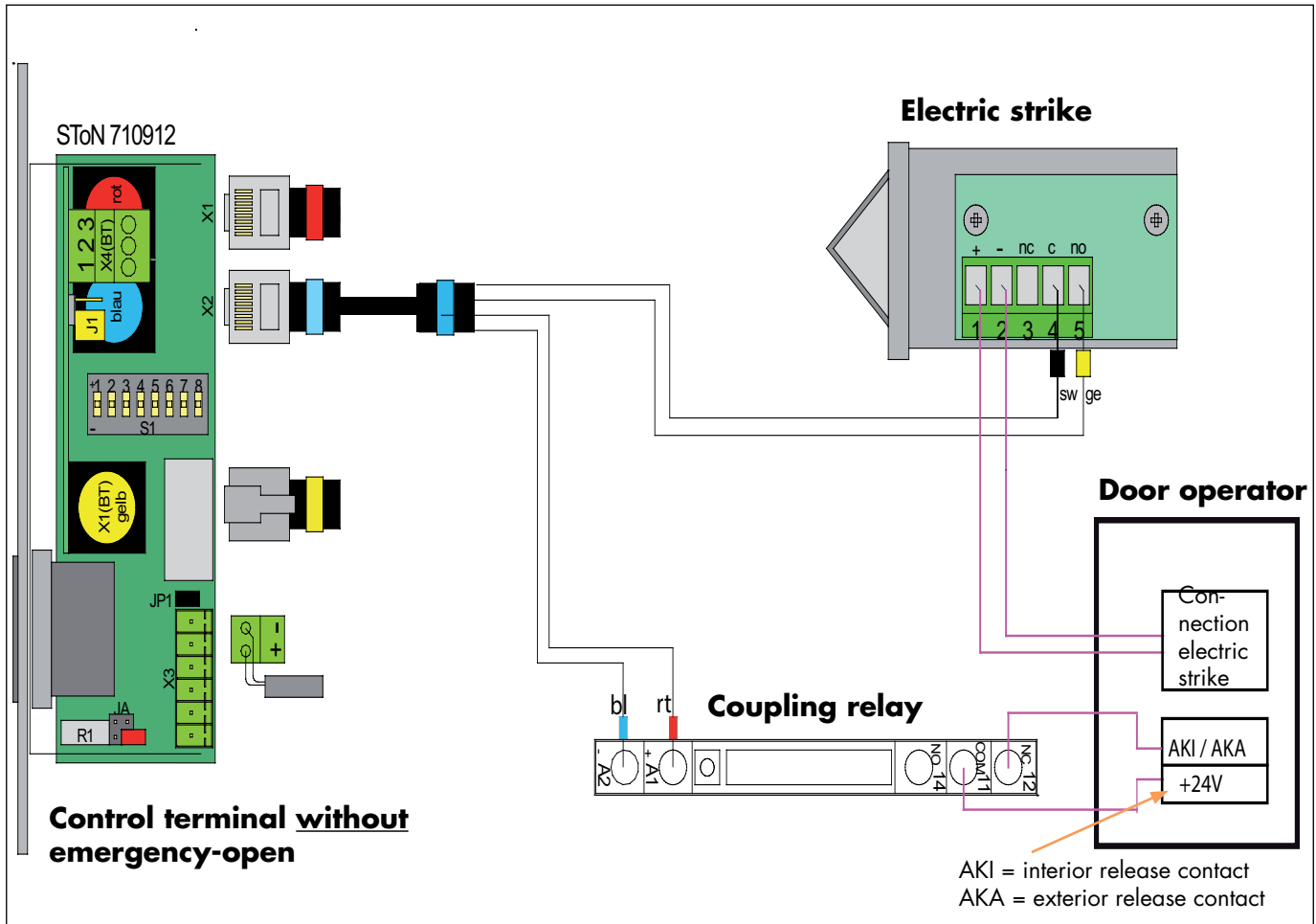
Use the control and operating terminals without emergency-open switch!



Adjust the time with the potentiometer R1 to the shortest time (minutes).

Connection of Door Operator(s) - cont.

Wiring Diagram for Door Operator with Separate Electric Strike



— Cable to be provided on site