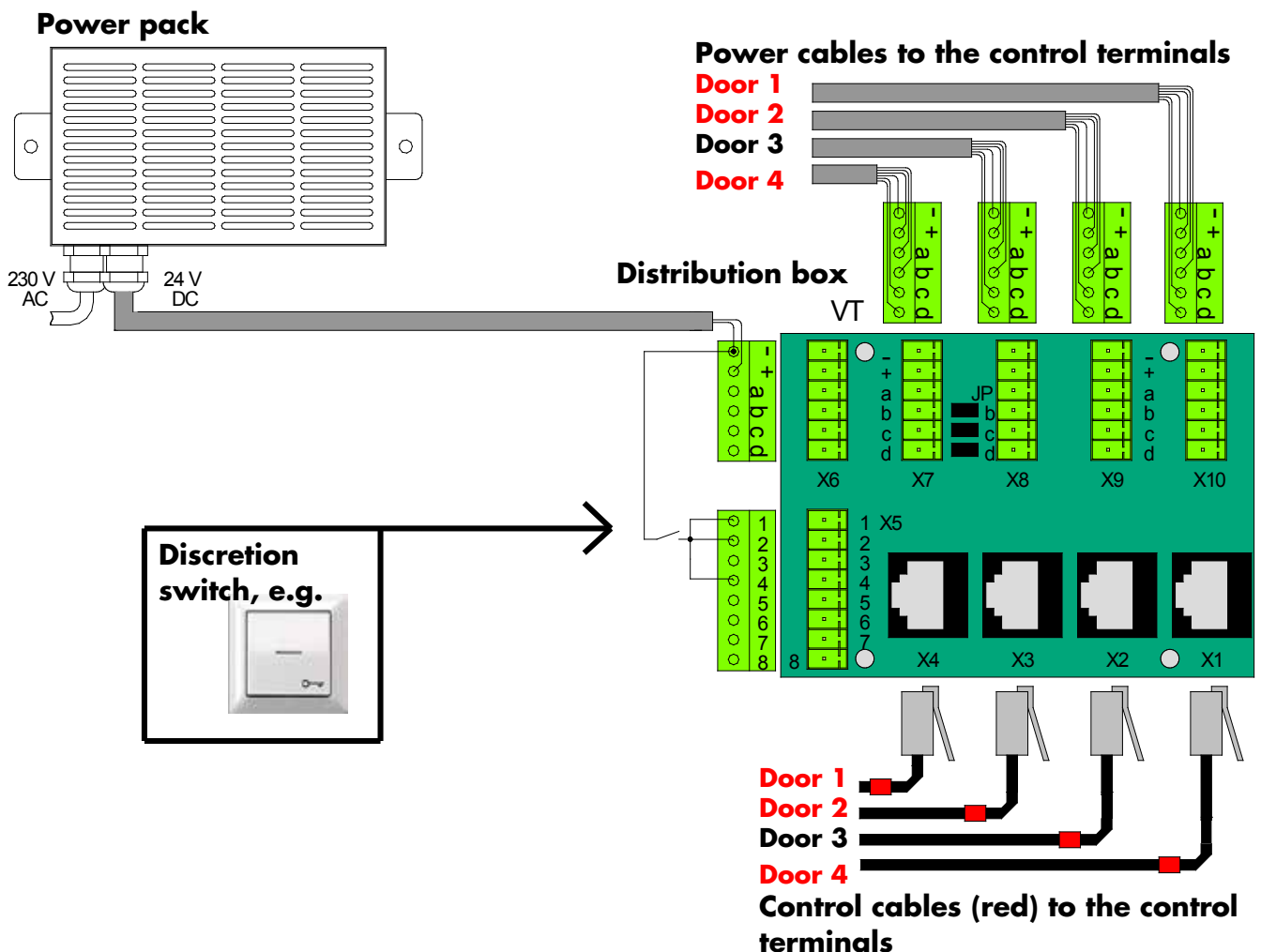


Discretion Circuit

In case one room of the interlock system is also used e.g. as changing room a separate (discretion) switch allows to lock the doors to this room during changing. Only when the switch is pressed again, the doors are released. The doors to be locked are defined on the terminal strip X5. When the discretion switch is activated these defined doors are connected to "-" (minus) (terminal strip X6) and thus locked.

If there are installed several distribution boxes in the interlock system, this circuit has to be realised in ONE distribution box only!



Example

In the above shown wiring diagram the doors 1, 2 and 4 are locked when the discretion switch is activated. Door 3 is not included in the discretion circuit and therefore not locked.

The corresponding placing of the jumpers allows any combination.