

□ 20 mm Electromagnets with Free Leads, without Release Pin

The DICTATOR electromagnets go into the most different applications. Apart from magnets for the approved use on fire protection doors DICTATOR magnets are used amongst others in the machine construction sector (e.g. locking access doors to machining centres with feed-back contact) or the building sector (e.g. to keep windows or flaps locked/opened).

One of the most important features of the DICTATOR electromagnets is their low power consumption combined with the highest possible force.

The smallest magnet of the DICTATOR magnet line is the EM GD 20. Due to its very small dimensions (□ 20 mm) it can be placed unobtrusively also in applications with restricted space. In order to facilitate its installation the magnet EM GD 20 is furnished in two designs: one with mounting plate and one without (this is provided with a threaded hole at the bottom of the magnet).



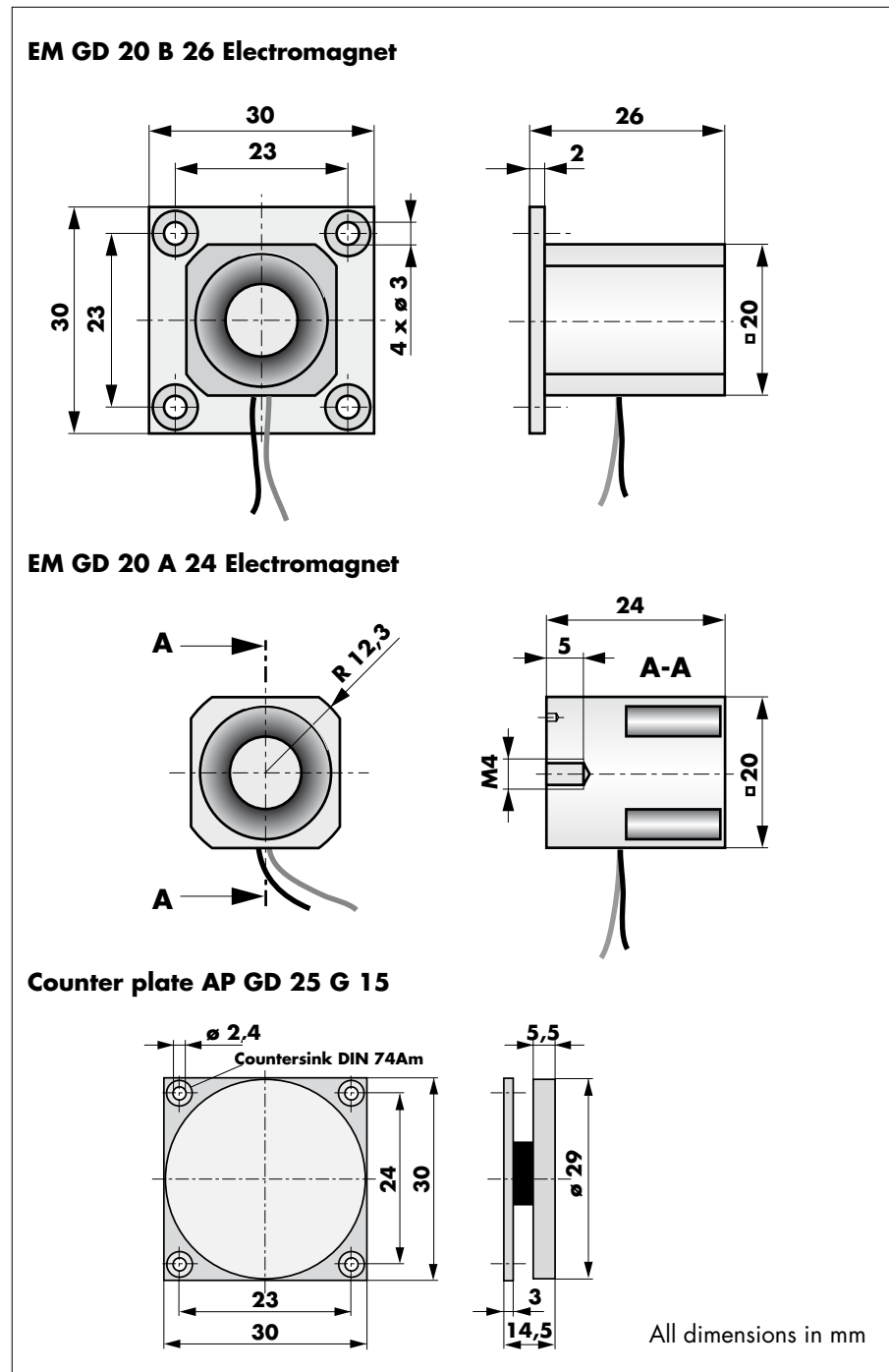
Technical Data

Voltage	24 VDC ± 10 %
Power consumption	67 mA (1.6 W)
Duty cycle	100 %
Operating temperature	-20 °C to +60 °C
Force	80 N
Remanence	max. 10 N
Finish	zinc-plated
IP rating	IP 20
Electrical connection	cable, length 240 mm

Installation

In order to achieve the maximum force of the magnet, the counter plate AP GD 25 has to be used together with the magnets. On demand it can also be supplied without its mounting plate. When fixing the counter plate make sure it completely covers the magnet.

Dimensions



Order Information

EM GD 20 A 24 electromagnet	force 80 N	part no. 040380
EM GD 20 B 26 electromagnet	force 80 N	part no. 040381
AP GD 25 G 15 counter plate		part no. 040024