

Electromagnet For Flush Mounting

DICTATOR electromagnets are mainly used for hold-open systems on fire protection doors. Electromagnets for flush mounting are the perfect solution when there is not enough space between the door and wall or when the magnet should be installed in a less visible way.

For the flush installation of the EM GD 50 U 35 a standard flush box is required. This makes the installation very easy. The magnet is inserted into the flush box which then is covered with the white front plate delivered along with the magnet.

The magnet is provided with free cable ends to be connected in the flush box. It is equipped with a spark extinction diode. In the event of faulty connection, the integrated polarity protection prevents the spark extinction diode being destroyed.

The EM GD 50 electromagnet has been **tested** according to the EN 1155 standard and is included **among others** in the following **approvals**: Z-6.5-1903, Z-6.5-1707.



Technical Data

Voltage	24 VDC ± 15 %
Power consumption	67 mA (1.6 W)
Force	600 N
Duty cycle	100 %
Operating temperature	-20 °C to +60 °C
Remanence	0 N
Finish	body of the magnet zinc-plated
Front plate	white (plastic)

Installation

The EM GD 50 U 35 magnet is inserted into a standard flush box (see below) and then fixed along with the plastic cover plate to the flush box. The magnet is connected to the 24 VDC power supply inside the flush box by luster terminals.

Further information for the correct installation of the magnet is to be found in the installation instructions provided with the magnet.

A selection of corresponding counter plates can be found later in this section.

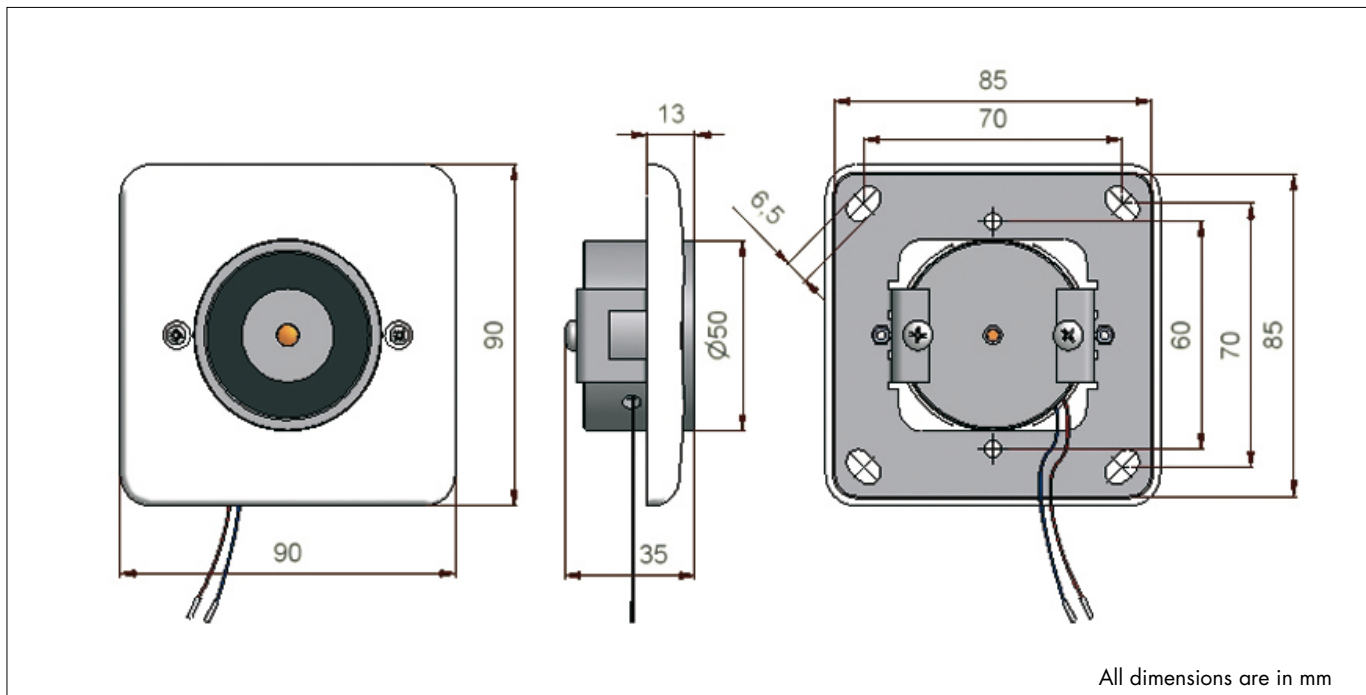
Please note: It must be possible to release a fire protection door held open by an electromagnet with a hand switch which is not hidden by the open door. (DICTATOR hand switch part no. 040005, see diagram on left).



Flush Box

The flush box required for the EM GD 50 U 35 magnet is not included in the delivery. The magnet has been designed for standard flush boxes with a minimum depth of 35 mm and a distance between the fixing holes of 60 mm (see drawing below)

Dimensions



Order Information

EM GD 50 U 35 electromagnet

force 600 N

part no. 041011