

Replacement Fire Detectors for DICTATOR Hold-Open Systems Installed Before 15 July 19

Hold-open systems that were installed on the basis of approvals no. Z-6.5-1903 and Z-6.5-1707 no longer have a valid approval as a basis, as these expired on 15.7.2019.

However, the old fire detectors may still be installed in existing systems for replacement purposes, provided they were produced before 15.7.2019. This means that the entire hold-open system does not necessarily have to be removed and a new currently approved hold-open system installed.

This also applies to DICTATOR hold-open systems in which smoke detectors RM 2000 and RM 3000+ as well as heat detectors WM 2000 and WM 3000+ are used and which were installed on the basis of the two above-mentioned approvals.

The smoke/heat detectors RM/WM 2000 are no longer available. Possible options for replacement can be found on the following page.



Components Concerned

Smoke detector RM 2000 with base

Heat detector WM 2000 with base

Smoke detector RM 3000+ with relay base

Heat detector WM 3000+ with relay base



RM 2000 Smoke Detector / WM 2000 Heat Detector

The fire detectors (040500, 040502, 040511 and 040512) are included in the following approvals, among others: Z-6.5-1903, Z-6.5-1707. Unfortunately, the detectors are no longer available, even for replacement purposes, as they are no longer allowed to be manufactured due to regulations and stocks have been used up.

Replacement option 1: The complete hold-open system is replaced by the new hold-open system RZ-24 with smoke detector RM 4000. The hold-open device (magnet, door closer) can be retained under certain circumstances, provided it is included in the approval of the new hold-open system. The power supply unit of the previous hold-open system is omitted and replaced by the RZ-24 control unit. Any changes to the wiring that may be necessary must be checked on site.

Replacement option 2

Replacing the RM 2000 with an RM 3000+

The RM 3000+ is also included in the two approvals of the RM 2000 mentioned above. However, it must be checked again for each hold-open system whether the corresponding regulations in the respective country are still fulfilled when replacing the RM 2000 with an RM 3000+.

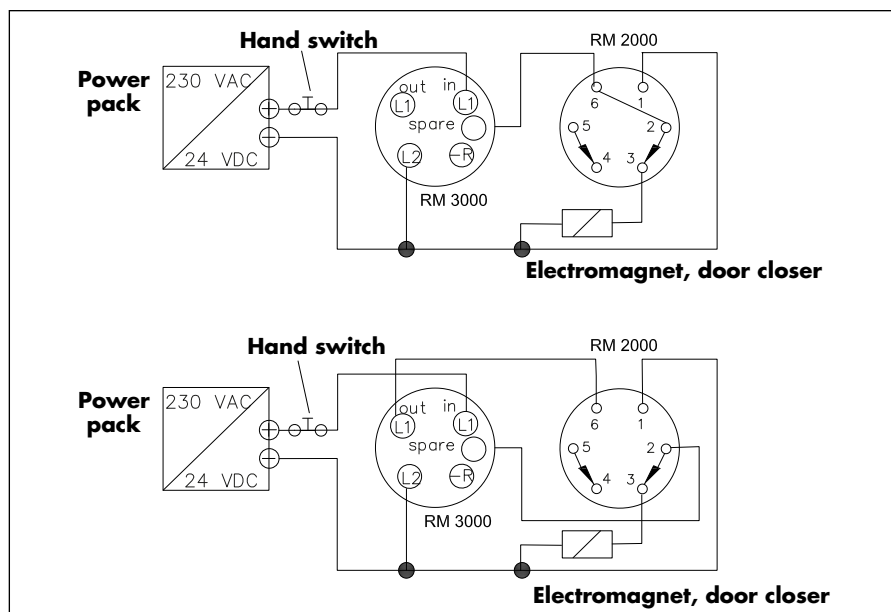
Major changes:

- The manual release button must be moved into the supply line of the smoke detectors, as the RM 3000+ does not reset automatically.
- Possible changes to the wiring or the use of the existing lines on site must be checked on the basis of the situation on site.

The RM 3000+ can be integrated into the existing detection loop.

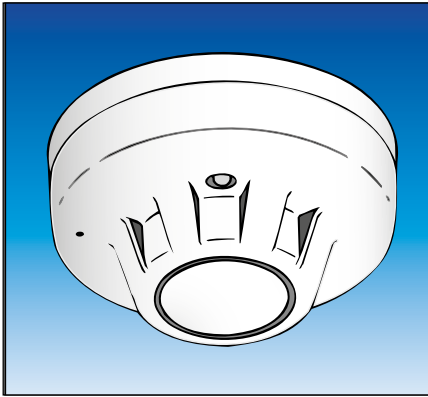
Please note the following connection options.

Wiring Examples



Technical Data

	RM 2000	WM 2000
Supply voltage	24 VDC (+15 %, -10 %)	
Power consumption	35 mA	about 15 mA
Response level of smoke unit, response level of thermal sensor	0.2 dB/m 65 °C	- -
Static alarm signal level	-	60 °C
Temperature class	-	A1R
Current-carrying capacity relay contacts	24 V/1.0 A	
IP rating	IP 42	

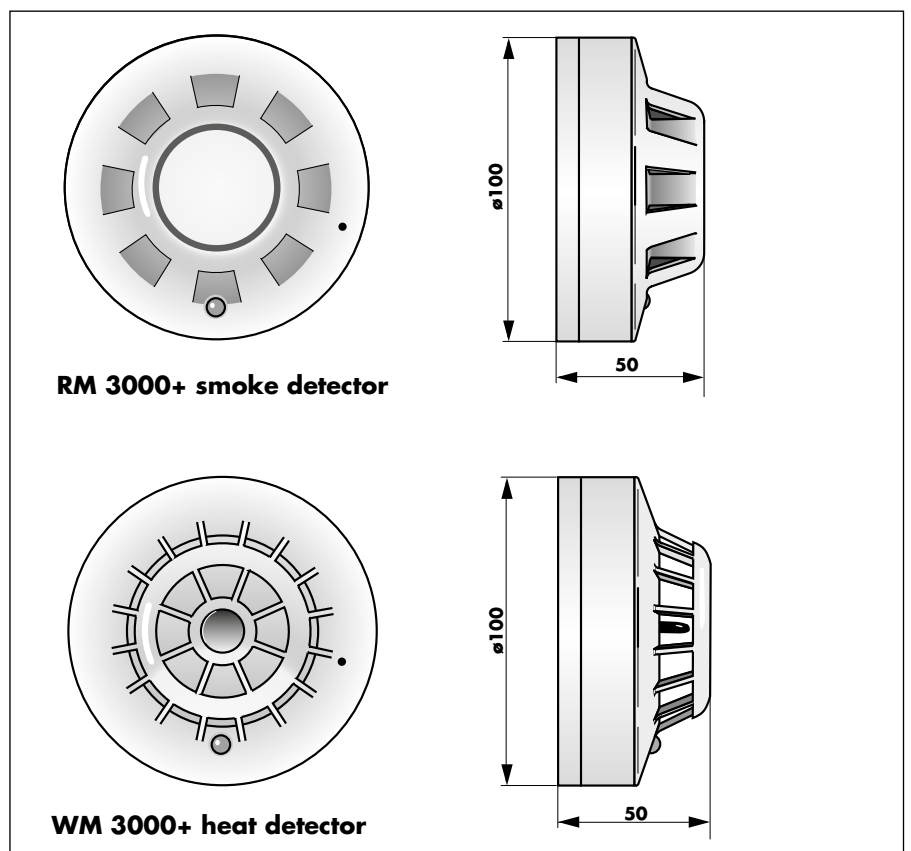


RM 3000+ Smoke Detector / WM 3000+ Heat Detector

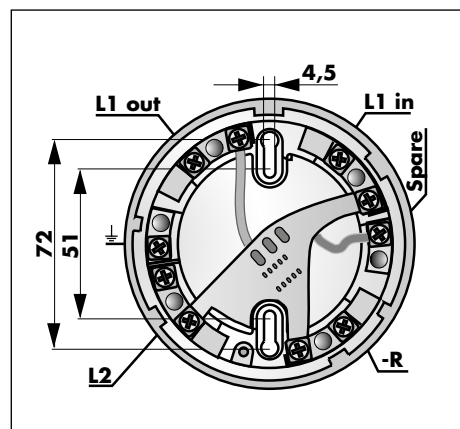
The relay contact of the smoke and heat detectors of the RM/WM 3000+ series is integrated in the base. Same as with the RM/WM 2000 series the base is the same for both types of detectors.

The heat detector has two heat sensors. In case of a fast increase and/or reaching the preset temperature, the relay contact interrupts the power supply of the connected hold-open device.

Dimensions



Relay Base RS 3000



The two slots in the base make it very easy to install as precise fixing holes in the ceiling are not required.

The wide interior diameter of the bases in the 3000 range allows for ease of access to wires and the five terminals. Wiring is possible both from the back or from the side (knock-outs in the base).

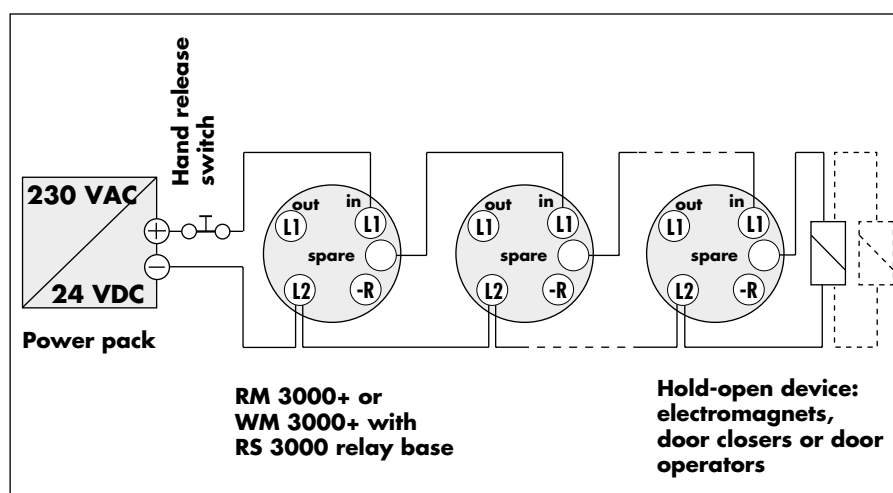
The detector is plugged in by turning it clockwise. An anti-theft feature is included, a missing detector means alarm.



Smoke/Heat Detectors RM/WM 3000+ - cont.

All installed smoke and heat detectors of the series RM/WM 2000 and RM/WM 3000+ **have to be replaced after 8 years**, even when they are still functioning correctly. This makes sure that the hold-open systems are always in full working condition and will reliably trigger the closing of the doors in the event of a fire.

Wiring Example



The power pack and the hand release switch always have to be connected to the first detector and the electromagnets always to the relay base of the last detector.

Technical Data

Supply voltage	9 to 33 VDC
Power consumption	25 mA at 24 VDC; 62 mA upon alarm
Operating temperature (smoke detector)	-20 °C to +60 °C (prevent icing!)
Response temperature (heat detector)	+60 °C
Current-carrying capacity relay contacts	1 A at 24 VDC
Contact voltage	50 V (max.)
Contact current	1 A (non inductive)
IP rating	IP 54 (heat detector), IP 43 (smoke detector)

Order Information

RM 3000+ smoke detector	part no. 040800N
RM 3000+ smoke detector, with base	part no. 040800NSET
WM 3000+ heat detector, response level 60 °C	part no. 040820N
WM 3000+ heat detector, response level 60 °C, with base	part no. 040820NSET
Relay base for smoke and heat detectors RM/WM 3000+	part no. 040841