

## Spring Rope Pulley

### With Safety Clutch and Free Wheel

DICTATOR spring rope pulleys are intended for closing fire protection sliding doors.

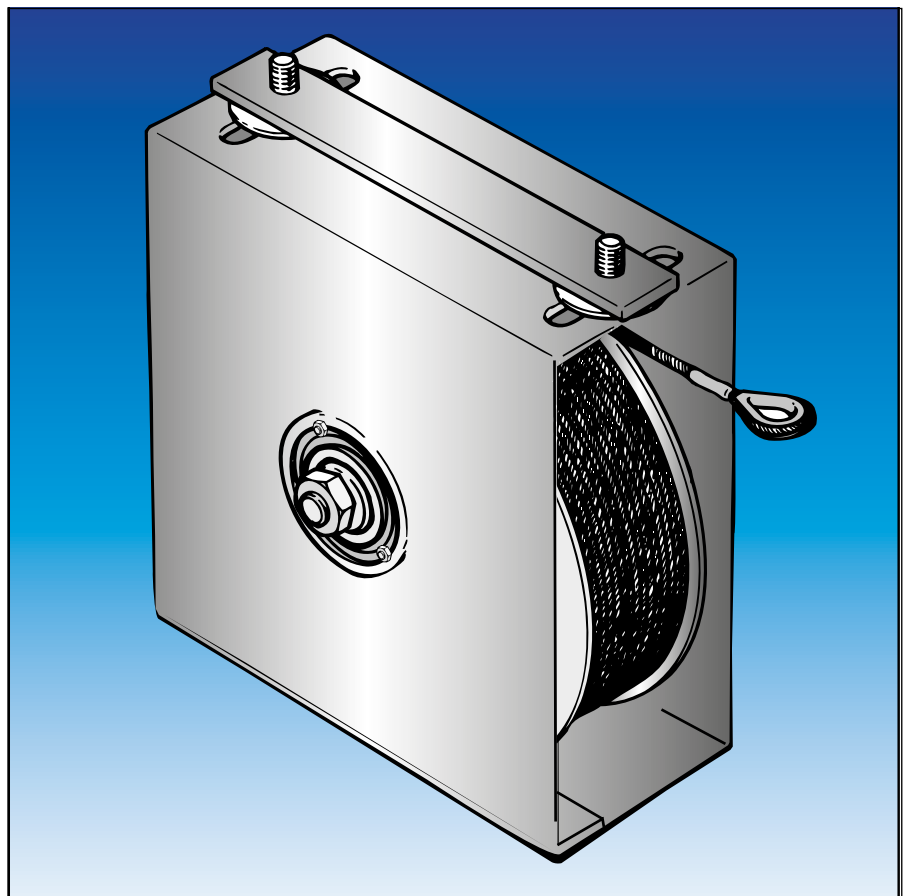
They are easily mounted to most commercial rails.

It is much easier and less time-consuming to install a spring rope pulley than a counter weight.

The free wheel and safety clutch facilitate the pretensioning of the spring rope pulley even when mounted.

We recommend to use a DICTATOR radial damper or one of our final dampers in combination with the spring rope pulley - depending on the size of the door. You will find detailed information on our dampers on the following pages and in the chapter Damping Engineering of our DICTATOR catalogue.

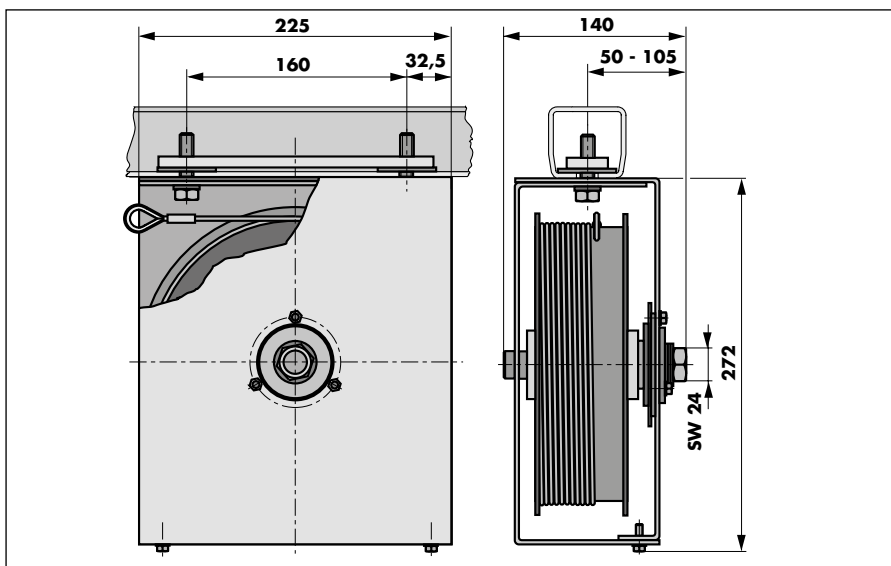
The 160 N and 320 N DICTATOR spring rope pulleys have been tested as closing devices for fire protection sliding doors.



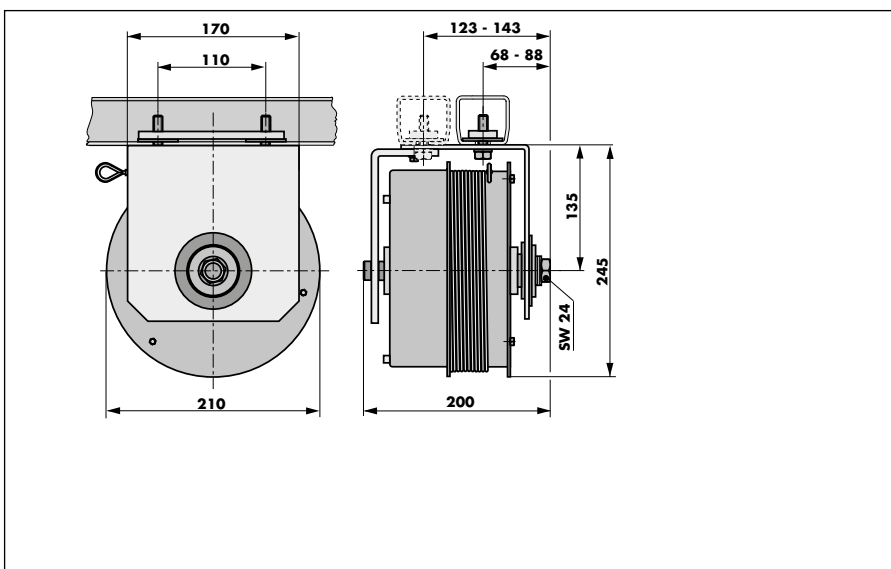
### Technical Data

Material		steel
Finish:	160 N type	powder coated (RAL 7036)
	320 N type	zinc-plated
Spring force		160 N or 320 N
Working distance		6.5 m
Steel rope		10 m; Ø 3 mm

### 160 N Spring Rope Pulley

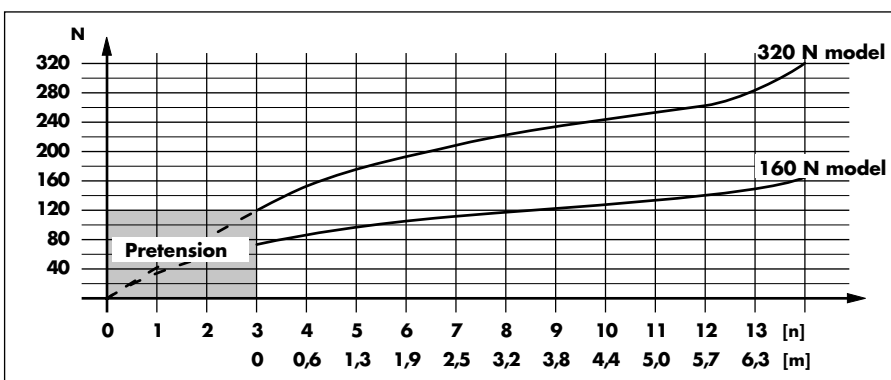


### 320 N Spring Rope Pulley



### Power/Distance Diagram

(Closing force measured on rope with 3 revolutions for pretension)



### Order Information

Spring rope pulley (160 N)

part no. 070060

Spring rope pulley (320 N)

part no. 070065