

Hinged Door Drive

DICTAMAT SPR

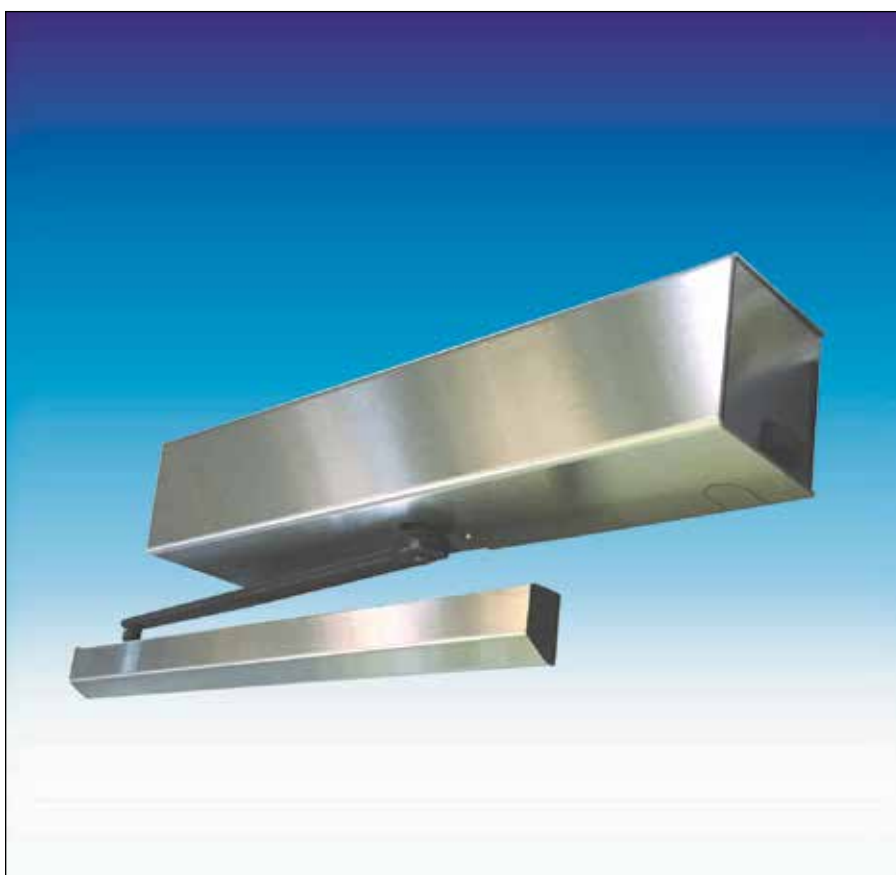
The DICTAMAT SPR is a small, economical but enormously powerful hinged door drive.

It can be easily retrofitted. The door operator is available for 230 VAC as well as for 24 VDC. It works with a guide rail arm.

Normally, the opening command is given by means of a push-button or another control device (e.g. radar, radio). However, a push-and-go function can also be set. The door can be closed either automatically after an adjustable time (0 - 30 seconds) or also by push-button. If required, the drive can be upgraded with a set of rechargeable batteries so that emergency operation is possible in the event of a power failure.

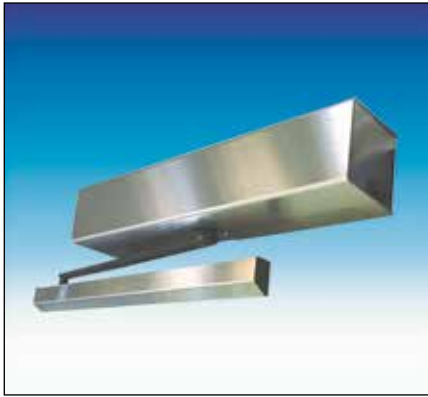
A power interruption as integrated safety is standard. When closing, the operator reverses as soon as it encounters an obstacle. When opening, the movement is stopped. Further safety elements can be connected.

The DICTAMAT SPR is supplied with a stainless steel cover.



Overview

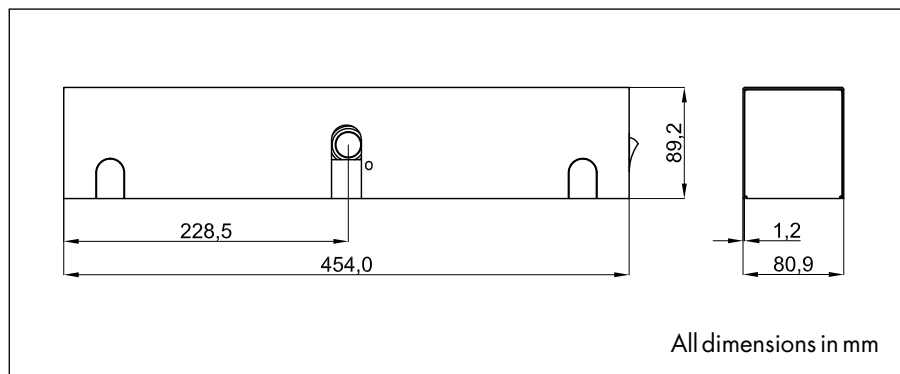
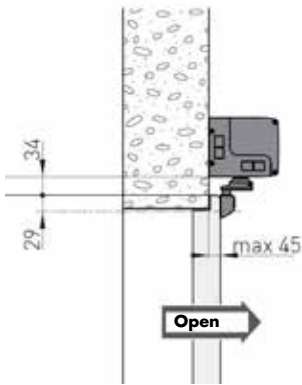
Width/Weight of door leaf	with 900 mm door width max. 100 kg, with 1000 mm door width max. 80 kg.
Driving power	25 Nm
Appropriate for	frequent operation (up to 600 cycles per day, at 2/3 of the maximum weight)
Door opening angle	max. 100°
Functions	OPEN: Control device or Push and Go CLOSE: Control device or automatic closing delay Safety: reversing on closing, stop on opening



Dimensions, Technical Data

The DICTAMAT SPR transmits its power via sliding link arm as standard. A stop is integrated in the guide rail, which can be positioned individually for each application. For optical reasons an additional cover made of stainless steel is supplied for the rail.

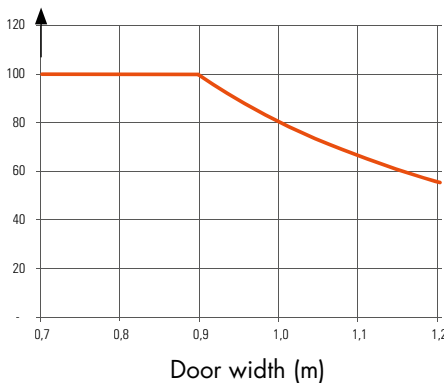
Dimensions

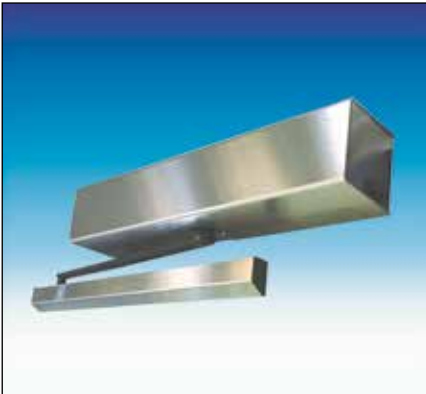


Technical Data DICTAMAT SPR

Rated input voltage	24 VDC	230 VAC / 50/60 Hz
Consumption	3 A	0.5 A
Motor rating	120 W	
Torque	25 Nm	
Power supply for additional components	24 VDC / max. 0.3 A	
Opening time	min. 3 seconds/90°, max. 6 seconds/90° (adjustable)	
Closing time	min. 4 seconds/90°, max. 7 seconds/90° (adjustable)	
Hold-open time with closing delay	0 - 30 seconds (adjustable)	
Door width / Door weight	with 900 mm door width max. 100 kg, with 1000 mm door width max. 80 kg - see diagram on the left	
Duty cycle	80 %	
IP rating	IP 30	
Operating temperatures	-10 °C to max. +50 °C	
Position control	encoder, teach-in via automatic teach-in run	

Door weight (kg)





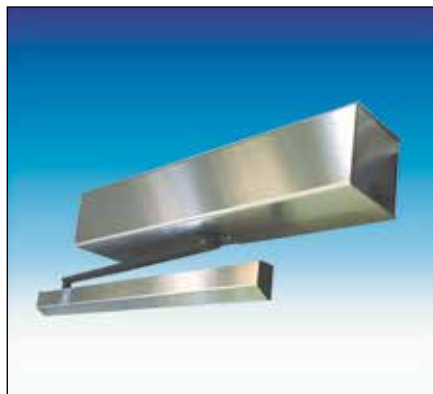
Operating Options / Safety

The control of the DICTAMAT SPR is integrated in the housing of the door operator. In case of power failure the door with drive can be moved by hand easily. Optionally, a set of rechargeable batteries is available so that the door drive can still perform approx. 10 opening/closing movements even in the event of a power failure. If required, a radar can be connected so that the door opens automatically when a person is within the detection range of the radar.

Functions, Operating Options

The DICTAMAT SPR offers many operating and setting options (see table below). A safety function is integrated in both the opening and closing direction, so that additional safety devices are only necessary if required by the location. If needed, a switch on the outside of the DICTAMAT SPR housing can be used to keep the door permanently open, e.g. if something has to be transported through the door.

Basic operating mode	Explanation
OPEN command	<ul style="list-style-type: none"> - by push button (standard) - Push-and-go (when briefly pushing the door by hand, this activates the door operator and it opens the door automatically; adjustable in the standard version) - Radar or radio as options (requires additional components)
CLOSE command	<ul style="list-style-type: none"> - by push button (standard) - Automatic closing (door closes automatically after an adjustable time) - Radar or radio as options (requires additional components)
Safety (obstacle detection) during opening	If the door opens and encounters an obstacle, the door stops immediately.
Safety (obstacle detection) during closing	If the door closes and encounters an obstacle, the door reverses immediately, i.e. it opens again.
Door permanently open	The operator can be switched off completely by means of the button on the outside of the DICTAMAT SPR housing. After switching on, the drive then performs the following two movements (closing and opening) at crawl speed (checking the end positions).
Moving during power failure	The drive is smooth-running when de-energised, so that the door can be opened/closed by hand without any effort in case of power failure.



Scope of Delivery / Components

The Dictamat SPR is supplied complete with arm and guide rail and cover. Additional safety and operating elements can be connected if required.

Components Included Dictamat SPR

Hinged door operator with pre-assembled mounting plate

Arm, guide rail

Mounting tray and stainless steel cover for the drive unit

Stainless steel cover for the guide rail

Order Information

Dictamat SPR with guide rail, 230 VAC,
including control system

part no. 710140

Dictamat SPR with guide rail, 24 VDC,
including control system

part no. 710141