

## Mounting Plates and Brackets for Door Checks

DICTATOR provides special mounting plates for DICTATOR door checks which make it easier to install them on steel, fire protection and glass doors and in the horizontal position. (ATTENTION: The door check has to be suitable for horizontal mounting!)

The mounting plates for steel doors are equipped with all necessary holes and threads and are fixed to the door by rivets.

For fire protection doors the manufacturer prescribes in the door approval or the manufacturer's declaration whether and which mounting plates have to be used (use the V 1600 door damper, part no. 300960!). If a mounting plate is required, it has to be fixed on the door leaf so that the distance between the door check and the side with the lock will be about 40 cm.

DICTATOR also provides mounting plates for fixing the hook to narrow/thin steel frames. The safe and stable fixing of the hook is imperative as otherwise the perfect functioning of the door check cannot be assured.

DICTATOR also provides a special mounting kit for gluing the door check on all-glass doors.



### Technical Data

Thickness of plate	3 mm (2.5 mm for model 205237)
Material	zinc-plated steel / stainless steel
Types of doors	steel, fire protection, glass doors
Fixing the mounting plate to steel doors	Ø 4x12 mm steel rivets, holes provided
Fixing the mounting plate (hook) to the frame	plug fixing with Ø 5 mm flat head screw
Fixing the mounting kit to glass doors	3M adhesive tape

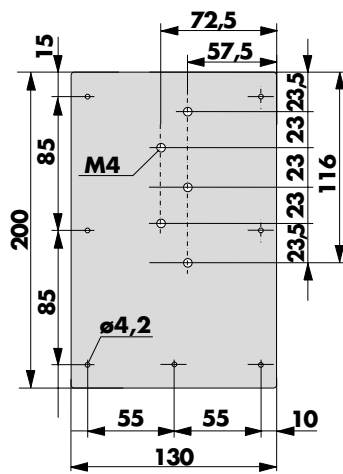


### Mounting Plates for Steel Doors

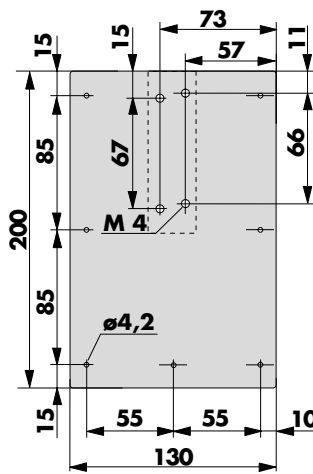
The mounting plates 205213/205212 are intended for doors with rebate. When using the mounting plate part no. 205237 the door has to be adjusted before the mounting to provide a gap of min. 3.5 mm between door and frame.

The hooks of the door checks are fixed to the frame. When it is not possible to fix them using all four holes of the hook - as with narrow steel frames - you should definitely use a mounting plate. For the door dampers V 1600 and H 1300 we provide the mounting plate 205231XL. It facilitates a very stable fixing and an easy mounting due to its oblong holes and the different possibilities of fixing.

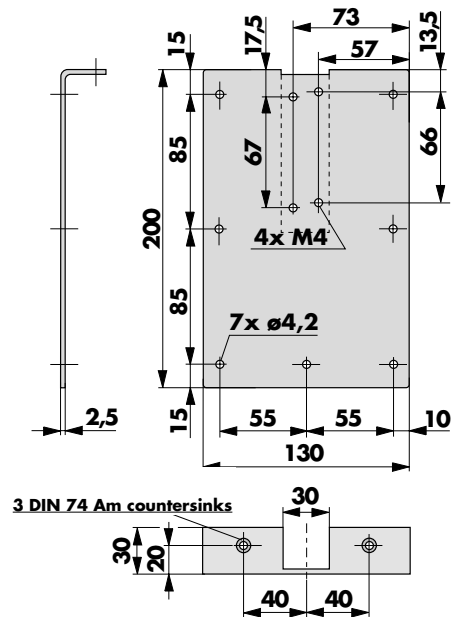
### Dimensions of Mounting Plates for Door Checks



H 1300 mounting plate, part no. 205213

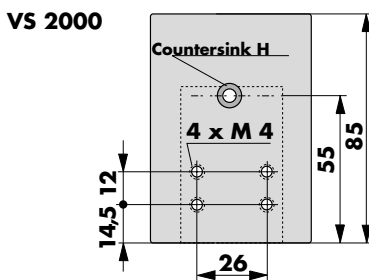


V 1600 and VS 2000 mounting plate, part no. 205212

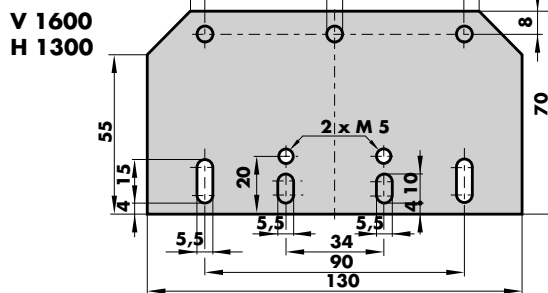


V 1600 mounting plate for fire protection doors without rebate, part no. 205237

### Dimensions of Mounting Plates for Hooks



part no. 205232

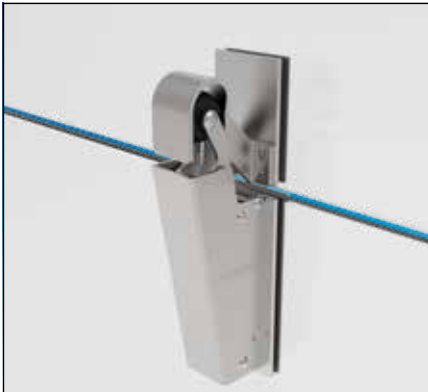


part no. 205231XL

### Order Information

**ATTENTION:**  
For fire protection doors the manufacturer prescribes in the door approval or the manufacturer's declaration whether and which mounting plates have to be used

Mounting plate for VS 2000 door check	part no. 205212
Mounting plate for V 1600 door check	part no. 205212
Mounting plate for V 1600 on fire doors without a rebate	part no. 205237
Mounting plate for H 1300 door check	part no. 205213
Mounting plate for VS 2000 hook	part no. 205232
Mounting plate for V 1600 and H 1300 hook	part no. 205231XL

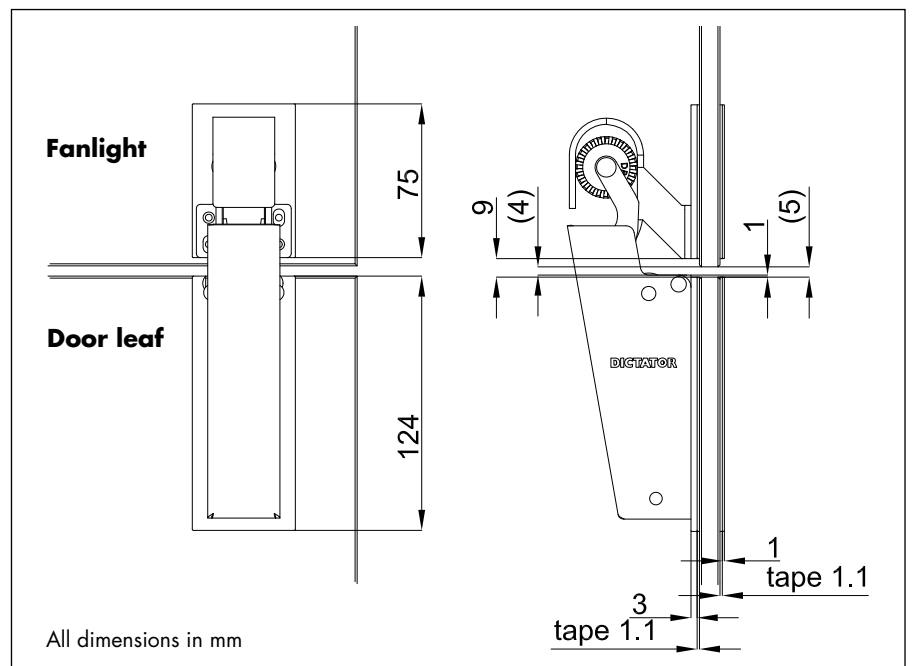


## Mounting Kit for All-Glass Doors, for Gluing

The use of door dampers on all-glass doors is no longer a problem with the mounting kit for gluing.

With the help of a special double-sided adhesive tape, the mounting plates for both the door damper V 1600 and the corresponding hook are attached to the glass door or glass fanlight. To round off the visual appearance, each set includes a cover plate, which is likewise stuck with adhesive tape on the other side of the door exactly where the mounting plate is positioned. Both mounting and cover plates are made of AISI 304.

### Mounting



The door damper or hook is first screwed onto the corresponding mounting plate. Then the mounting plate is glued to the glass door or glass fanlight as shown in the above drawing. Then the cover plate is glued to the other side of the glass so that the mounting plate is covered exactly. The final adhesive strength at 20 °C is achieved after 72 hours.

### Technical Data

Material mounting and cover plates	AISI 304 (1.4301)
Adhesive tape	Acrylate adhesive Thickness 1.1 mm Colour grey Working temperature: between 15 and 25 °C Permanent operating temperature: room temperature, temporarily up to 80 °C

### Components Included

Mounting kit for door damper V 1600: 1 mounting plate with 4 threaded holes M4, 1 cover plate, each with 3M adhesive tape, 1 cleaning cloth
Mounting kit for hook 1009, 1011 or 1013: 1 mounting plate with 4 threaded holes M5, 1 cover plate, each with 3M adhesive tape, 1 cleaning cloth

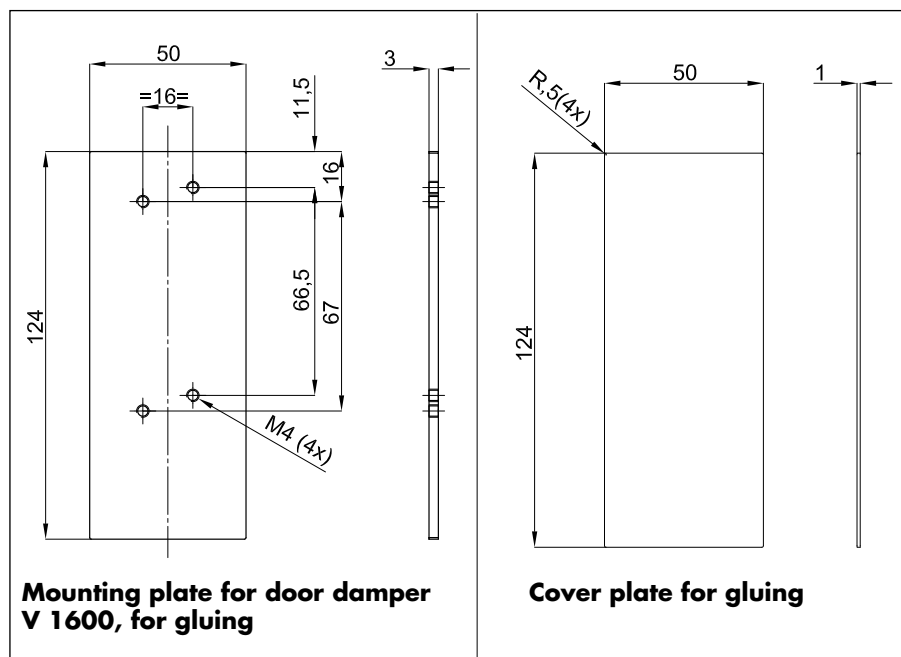


**Mounting Kit for All-Glass Doors, for Gluing - cont.**

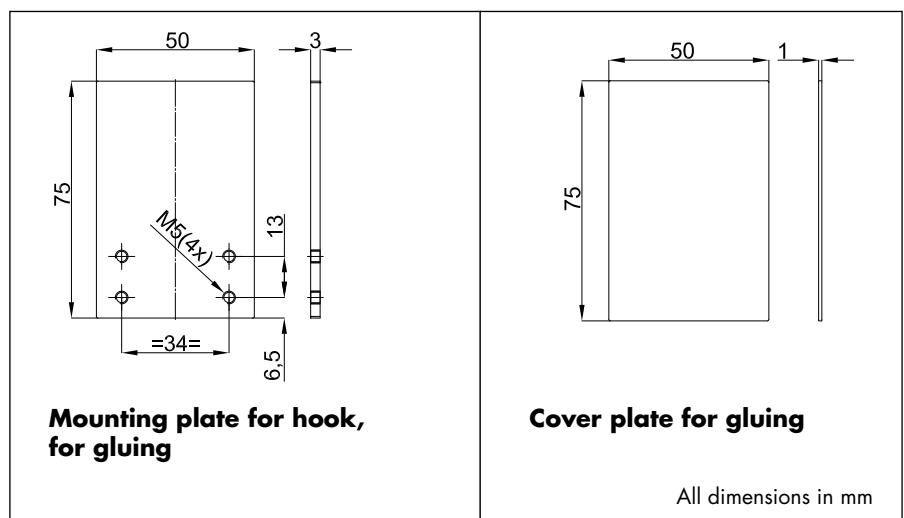
In the adjacent picture you can see the „cover plates“ on the opposite side of the door. They ensure that the mounted door damper and hooks form a unit with the door.

If the door does not have a glass skylight, only the door damper is attached to the door with the mounting set. The hook can then be screwed to the frame either directly or with the aid of another mounting plate.

**Dimensions  
Plates Mounting Kit Door  
Damper V 1600**

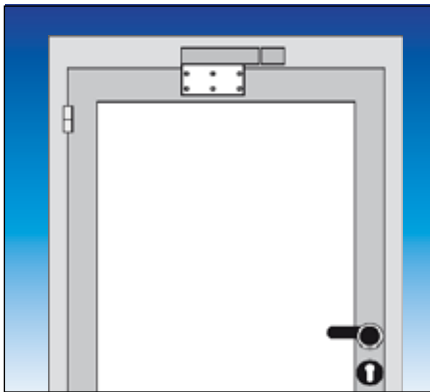


**Dimensions  
Plates Mounting Kit Hook**



**Order Information**

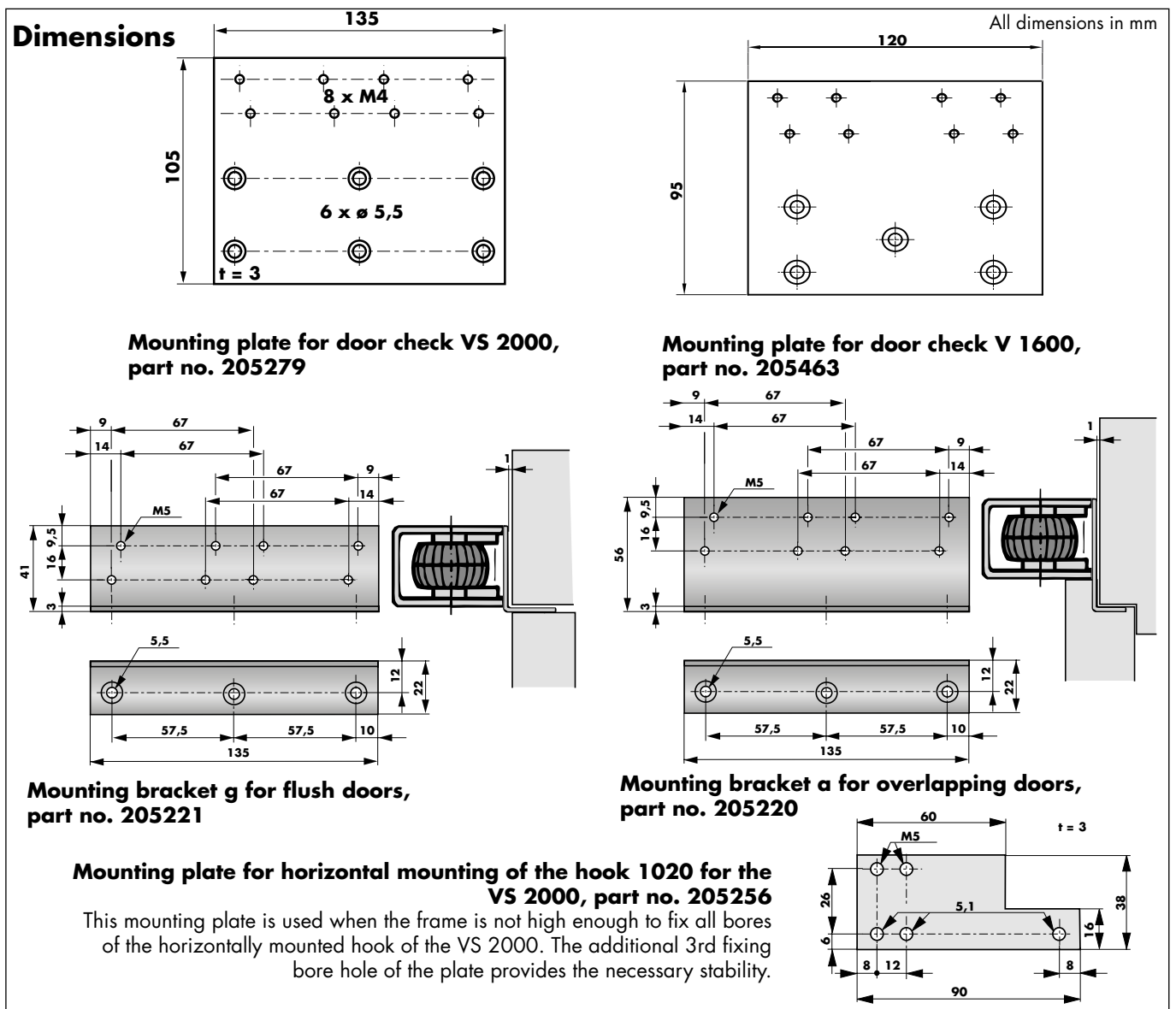
Mounting kit door damper V 1600 for glass doors	part no. 205375
Mounting kit hook 1009, 1011, 1013 for glass doors	part no. 205376



## Mounting Plates and Brackets for Horizontal Mounting

Using the mounting plates the door checks V 1600 and VS 2000 can be installed horizontally in the middle of the door. The mounting plates provide threaded holes for the fixing of the door checks. The hook is fixed directly to the frame.

For the VS 2000 there are also available mounting brackets. They are screwed more or less invisibly on the upper edge of the door. With wooden doors they usually are sunk. With steel doors you should make sure there is at least a gap of 4 mm between door and frame to allow the bracket to be installed without the door being jammed.



## Order Information

Mounting plate for horizontal mounting of VS 2000, zinc-plated	part no. 205279
Mounting plate for horizontal mounting of V 1600, AISI 304	part no. 205463
Mounting bracket a for horizontal mounting VS 2000, zinc-plated	part no. 205220
Mounting bracket g for horizontal mounting VS 2000, zinc-plated	part no. 205221
Mounting plate for horizontal mounting of hook 1020, zinc-plated	part no. 205256

