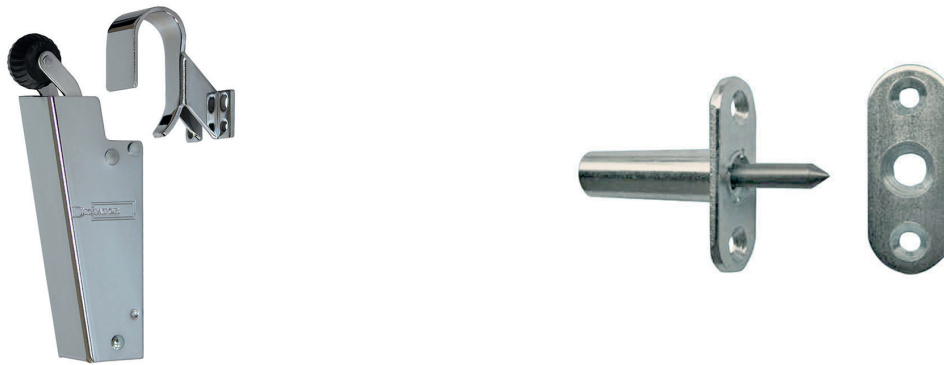


ACCESSORIES FOR FIRE DOORS



Fire doors often don't close completely despite having a closing device, possibly because a second door near this door is closed. The air in this 'interlock' functions as an air cushion and thus prevents the door from completely closing. However, in case the second door is open, the fire door usually closes with a loud bang. DICTATOR door dampers are the solution.

During a fire it can happen that large door leaves, although safely closed at first, are pushed open in some places due to high temperatures and the subsequent pressure difference. Through the forming gap the fire may expand in spite of the fire protection door. The thermal bolt HLS takes care of this.

TABLE OF CONTENTS - ACCESSORIES FOR FIRE DOORS

	Page
 Door damper V 1600 / V 1600F for fire doors 07.06.04 The approved solution for fire and smoke doors	07.06.04
 Thermal bolt HLS 07.06.08 Safely closed fire doors – without gap	07.06.08

Subject to technical changes. No claim for compensation in case of errors.

Door damper V 1600/V 1600F for fire doors

Universal model with the widest range of executions



Video



Website

CHARACTERISTICS

- Thanks to its cased cylinder the fixing screws are not visible
- Available in different colors and finishes: chrome-plated, color-coated, stainless steel
- The models V 1600F with 80 N and V 1600 with 50 N are approved for use on fire and smoke doors. More information can be found under 'Fire doors'

MOUNTING OPTIONS

- Normally installed vertically on the pull side of the door
- Different hooks allow its installation on overlapping, flush and recessed doors (more information available under 'Choice of hook')
- Installation on glass doors possible with additional mounting plates
- Before installing it on fire doors it is necessary to check whether mounting plates are required for the installation on your fire or smoke door. For more information, see section 'Fire doors'



TECHNICAL DATA

Type of doors	left opening and right opening hinged doors, flush, overlapping or recessed doors
Closing force	50 N; 80 N
Damping characteristics	progressive
Closing speed	adjustable
Damping fluid	silicone oil
Material	steel; stainless steel AISI 304
Finish (steel)	bright chrome; satin chrome; coated in RAL colors
Components included	door damper, hook, fixing screws for wooden doors

FIRE DOORS

Door damper V 1600/V1600F for the use on fire and smoke doors

Depending on your country's regulations, it is possible that the door damper may only be used on fire and smoke doors for which there is an existing approval that allows its installation. On many fire and smoke doors, it is necessary to use mounting plates for the installation of the door damper and the hook.

Please check which mounting plates you need for your particular door before ordering. Should you have any questions, we'll be happy to help.



Installation instructions V 1600F

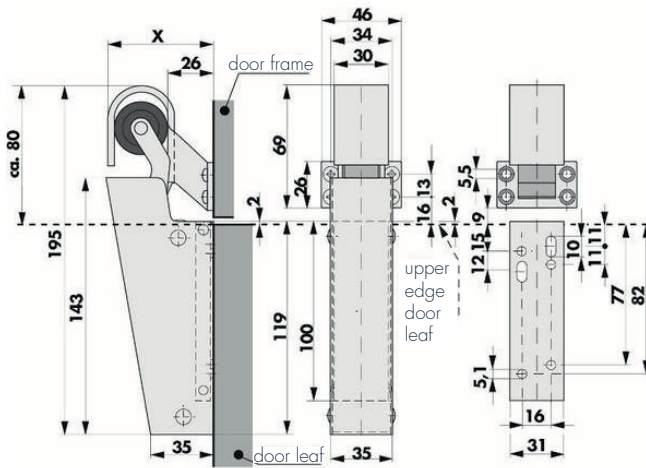
CHOICE OF HOOK

- Hook 1009: for flush doors (-4 to +14 mm)
- Hook 1013: for overlapping doors (+15 to +30 mm)
- Hook 1011: for recessed doors (-5 to -20 mm)



DIMENSIONS

All dimensions in mm



Dimension of X with

- Hook 1009 for flush doors: X = 59
- Hook 1013 for overlapping doors: X = 78
- Hook 1011 for recessed doors: X = 39

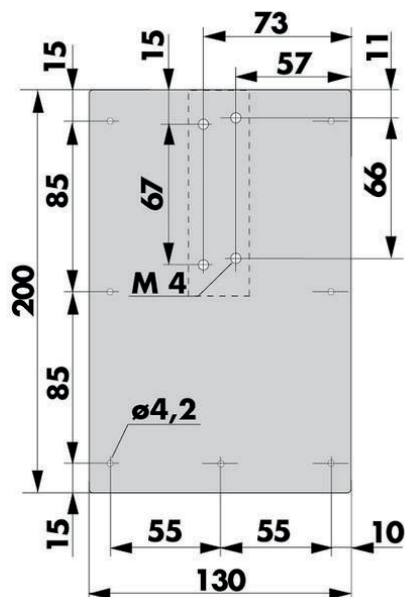
Further information on the dimensions of all mounting plates and brackets can be found under 'Installation accessories'.

INSTALLATION ACCESSORIES

All dimensions in mm

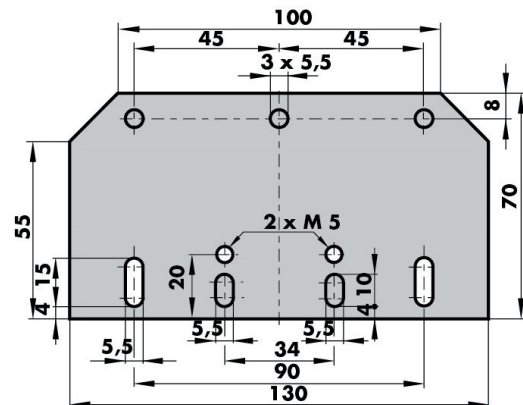
Mounting plate for installation on fire doors

Part no. 205212



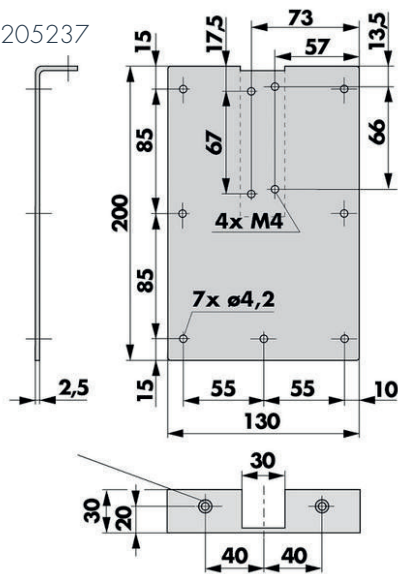
Mounting plate for installation on fire doors

Part no. 205231XL



Mounting plate for installation on fire doors without rebate

Part no. 205237



ORDER INFORMATION

Description	Installation	Hook 1009	Hook 1011	Hook 1013
V 1600 50 N chromium plated	vertical	300460	300629	300461
V 1600 50 N satin chrome	vertical	300460X	300457	300461X
V 1600 50 N RAL 9010 pure white	vertical	300466	*	300965
V 1600 50 N RAL 8017 chocolate brown	vertical	300454	300979	300966
V 1600 50 N RAL 9005 jet black	vertical	300456	-	-
V 1600 50 N RAL 9006 white aluminium (grey)	vertical	300467	*	300964
V 1600 50 N AISI 304	vertical	300612	-	-
V 1600 80 N chromium plated	vertical	300480	*	300951
V 1600 80 N satin chrome	vertical	300480X	*	*
V 1600 80 N RAL 9010 pure white	vertical	300954	*	300968
V 1600 80 N AISI 304	vertical	300614	-	-
V 1600F 80 N chromium plated	vertical	300960	300963	300973

For large quantities, other colours are also available on request.

*: Available on request

ACCESSORIES

Description	Part No.
Mounting plate for hooks type 1009, 1011 and 1013, with 4 screws M5 x 6, zinc-plated steel	205231XL
Mounting plate for door damper V 1600 on flush fire doors, with 4 screws M4 x 6, zinc-plated steel	205237
Mounting plate for door damper V 1600 on fire doors, including 4 screws M4 x 6, zinc-plated steel	205212

Thermal bolt HLS-catch

Safely closed fire doors – without gap



Website

DESCRIPTION

Perfectly functioning fire and smoke doors are an indispensable requirement for preventing or limiting damage. In the case of hinged doors in particular, the high heat of a fire might cause the door to warp, which can create gaps and thus the fire could spread despite the fire door. The **Hot-Locking-Safe** thermal bolting offers protection for these cases.

CHARACTERISTICS

- Available in two different models, which differ only in their counter plate:
 - Standard model: the counter plate features just a countersunk bore as intake for the bolting pin
 - Model for doors that warp more easily: here the bore in the counter plate is molded as a funnel to enable the locking pin to enter the boring in the counter plate easily, even when the door has already deformed a little.
- **IMPORTANT:** The HLS thermal bolt may only be installed in agreement with the respective door manufacturer.

FUNCTION

- Installed in the frame or the door at those places where there is the highest danger that a gap might occur.
- Normally the bolt is retracted in the casing and locked there by the soldered strut.
- Only when the surrounding temperature rises to about 600 °C and the HLS itself has reached about 65 °C, the soldered strut melts and the spring in the back of the cylinder can push out the bolt.
- This fixes the door securely to the frame and the door leaf cannot be distorted.



TECHNICAL DATA

Casing	zinc-plated steel
Material soldered strut	Hotmelt
Melting point	at a surrounding temperature of about 600 °C, the soldered strut itself at about 65 °C
Spring force	approx. 11 N
Stroke	23 mm
Application area	hinged fire protection doors T30 and T60
Door types	timber and steel doors with timber or steel frames
Test	DIN EN 1634-1:2000

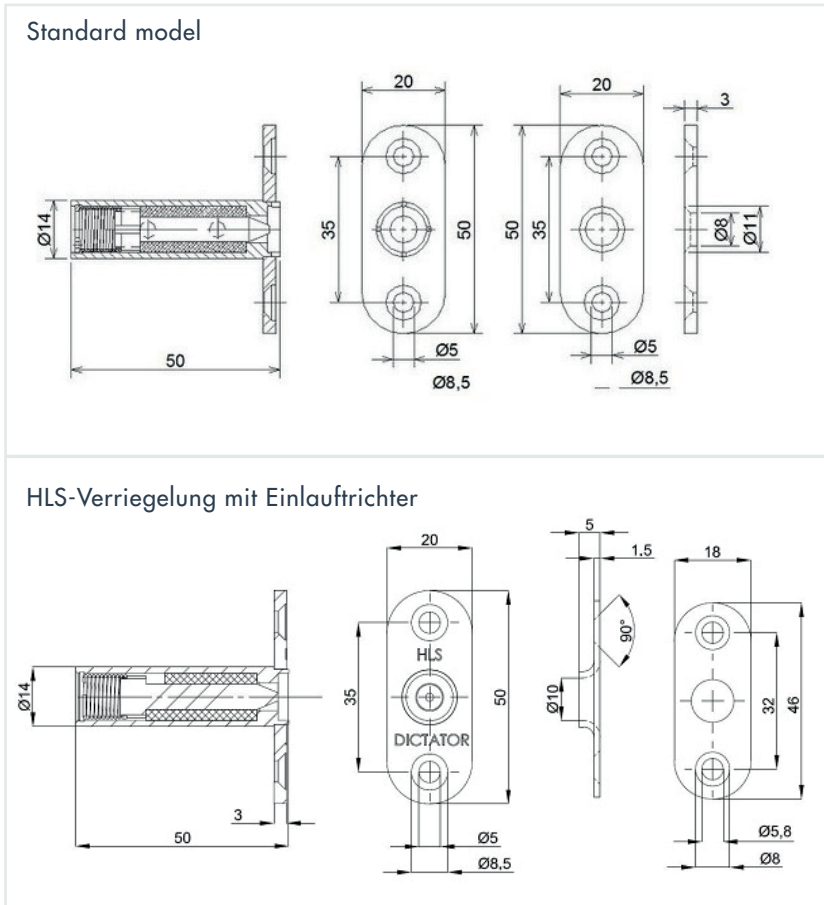
MONTAGE



Installation instructions

DIMENSIONS

All dimensions in mm



ORDER INFORMATION

Description	Part no.
Thermal bolting TV2003-50, granulate material, bolt 23 mm stroke	710715
Thermal bolting TV2003-50, granulate material, bolt 23 mm stroke, counterplate with intake guide	710717