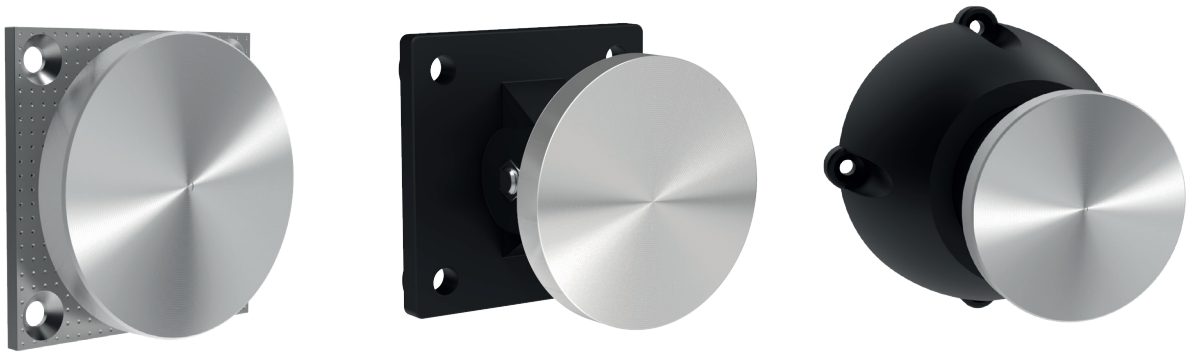


## COUNTER PLATES



The holding forces indicated in the technical data of the electromagnets can only be ensured when corresponding counter plates are used as counterparts.




Manufactured with high quality materials.

Different models available to facilitate installation and to assure an optimal function of the hold-open system.

When selecting the counter plate it is important that the diameter of the anchor plate is slightly larger than that of the electromagnet.



**TABLE OF CONTENTS - COUNTER PLATES**

	Page
 <b>Counter plates range G</b> ..... 07.04.04 Flexible counter plate with rubber bearing	07.04.04
 <b>Counter plates range W</b> ..... 07.04.05 Model with angular joint	07.04.05
 <b>Counter plates range T</b> ..... 07.04.06 Telescopic counter plate with damping	07.04.06

Subject to technical changes. No claim for compensation in case of errors.

# Range G counter plates

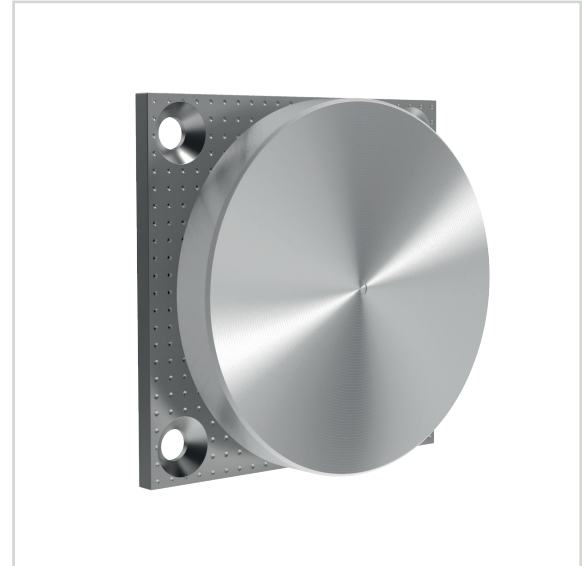
Flexible counter plate with rubber bearing



Website

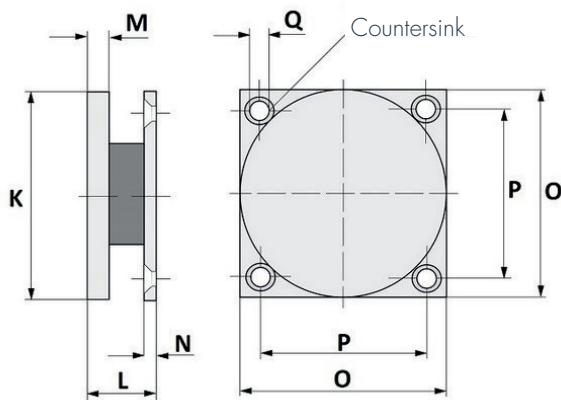
## CHARACTERISTICS

- DICTATOR counter plates are adapted to DICTATOR electromagnets in such a way that the full magnetic force is always ensured
- The counter plate must have at least the same diameter as the magnet face of the electromagnet
- Consist of a zinc-plated mounting plate, an elastic joint and a smooth, zinc-plated anchor plate
- The elastic joint between anchor and mounting plate compensates for an angle of up to 10° between door and magnet
- The counter plate must lie flat on the magnetic pole face of the electromagnet
- Tested in combination with DICTATOR electromagnets



## DIMENSIONS

All dimensions in mm



	K	L	M	N	O	P	Q
AP GD 40 G 14	∅ 44	14	5,5	3	50	40	∅ 4,5
AP GD 50 G 16	∅ 54	16	7	3	55	44	∅ 4,5
AP GD 60 G 16	∅ 64	16	7	3	65	55	∅ 4,5
AP GD 60 G 30	∅ 64	30	7	3	65	55	∅ 4,5
AP GD 60 G 60	∅ 64	60	7	3	65	55	∅ 4,5
AP GD 70 G 20	∅ 74	20	10	4	75	60	∅ 5,5

## TECHNICAL DATA

Surface	zinc-plated
Compensation angle	up to 10°

## INSTALLATION



Installation instructions

## ORDER INFORMATION

Description	Part no.
AP GD 40 G 14 counter plate	040089
AP GD 50 G 16 counter plate with flexible joint	040025
AP GD 60 G 16 counter plate	040039
AP GD 60 G 30 counter plate	040096
AP GD 60 G 60 counter plate	040084
AP GD 70 G 20 counter plate	040026

# Range W counter plates

## Model with angular joint


[Website](#)

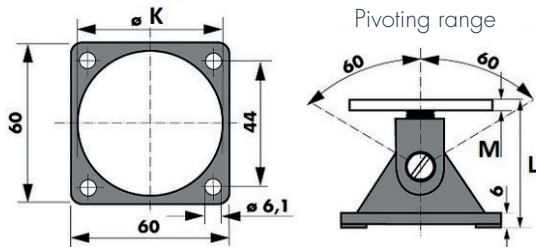
### CHARACTERISTICS

- DICTATOR counter plates are adapted to DICTATOR electromagnets in such a way that the full magnetic force is always ensured
- The counter plate must have at least the same diameter as the magnetic side of the electromagnet and lie flat against its surface
- Consist of a zinc-plated anchor plate, an angular joint and a black plastic mounting plate
- Due to its angular joint, the counter plate allows for an angle compensation of max. 60° in each direction between door and magnet
- The counter plate must lie flat on the magnetic pole face of the electromagnet
- Tested in combination with DICTATOR electromagnets



### DIMENSIONS

All dimensions in mm



### TECHNICAL DATA

Surface	anchor plate zinc-plated steel
Mounting plate and angular joint	black plastic
Compensation angle	up to 60°

### INSTALLATION


[Installation instructions](#)

	K	L	M
AP GD 40 W50	∅ 44	50	5,5
AP GD 50 W50	∅ 54	51	7
AP GD 60 W50	∅ 64	51	7
AP GD 70 W54	∅ 74	54	10

### ORDER INFORMATION

Description	Part no.
AP GD 40 W 50 counter plate	040072
AP GD 50 W 50 counter plate	040027
AP GD 60 W 50 counter plate	040070
AP GD 70 W 54 counter plate	040068

# Range T counter plates

Telescopic counter plate with damping



Website

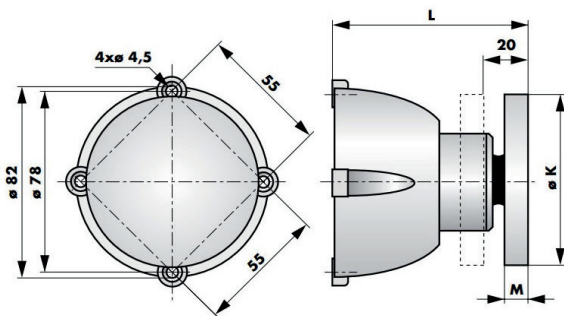
## CHARACTERISTICS

- DICTATOR counter plates are adapted to DICTATOR electromagnets so that full magnetic force is always ensured
- Robust with fiber-glass reinforced plastic casing
- Recommended for big, heavy doors
- Integrated spring dampens the impact of the doors on the magnet and prevents the door from springing back
- Spring force of around 100 N on a stroke of 20 mm
- It can compensate angles up to 10°
- They ensure the magnet remains on the counter plate even when the door slams against it. They also reduce unnecessary wear and tear on the door and magnet
- The counter plate must lie flat on the magnetic pole face of the electromagnet
- Tested in combination with DICTATOR electromagnets



## DIMENSIONS

All dimensions in mm



	K	L	M
AP GD 50 T 80	Ø 54	80	7
AP GD 60 T 80	Ø 64	80	7
AP GD 70 T 84	Ø 74	84	10

## TECHNICAL DATA

Surface	anchor plate zinc-plated steel
Casing	PA 66, fiber-glass reinforced, anthracite
Compensation angle	up to 10°
Spring force	approx. 100 N (at 20 mm stroke)

## INSTALLATION



Installation instructions

## ORDER INFORMATION

Description	Part no.
AP GD 50 T 80 counter plate	040071
AP GD 60 T 80 counter plate	040028
AP GD 70 T 84 counter plate	040029

