

Range T counter plates

Telescopic counter plate with damping



Website

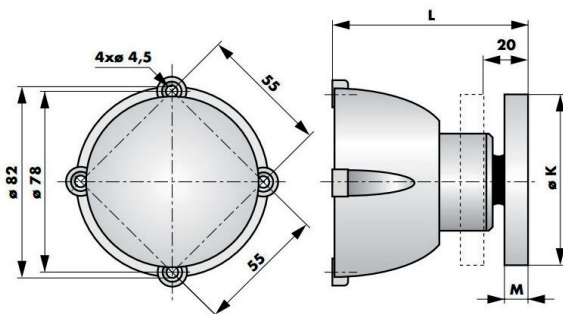
CHARACTERISTICS

- DICTATOR counter plates are adapted to DICTATOR electromagnets so that full magnetic force is always ensured
- Robust with fiber-glass reinforced plastic casing
- Recommended for big, heavy doors
- Integrated spring dampens the impact of the doors on the magnet and prevents the door from springing back
- Spring force of around 100 N on a stroke of 20 mm
- It can compensate angles up to 10°
- They ensure the magnet remains on the counter plate even when the door slams against it. They also reduce unnecessary wear and tear on the door and magnet
- The counter plate must lie flat on the magnetic pole face of the electromagnet
- Tested in combination with DICTATOR electromagnets



DIMENSIONS

All dimensions in mm



	K	L	M
AP GD 50 T 80	Ø 54	80	7
AP GD 60 T 80	Ø 64	80	7
AP GD 70 T 84	Ø 74	84	10

TECHNICAL DATA

Surface	anchor plate zinc-plated steel
Casing	PA 66, fiber-glass reinforced, anthracite
Compensation angle	up to 10°
Spring force	approx. 100 N (at 20 mm stroke)

INSTALLATION



Installation instructions

ORDER INFORMATION

Description	Part no.
AP GD 50 T 80 counter plate	040071
AP GD 60 T 80 counter plate	040028
AP GD 70 T 84 counter plate	040029