

Range G counter plates

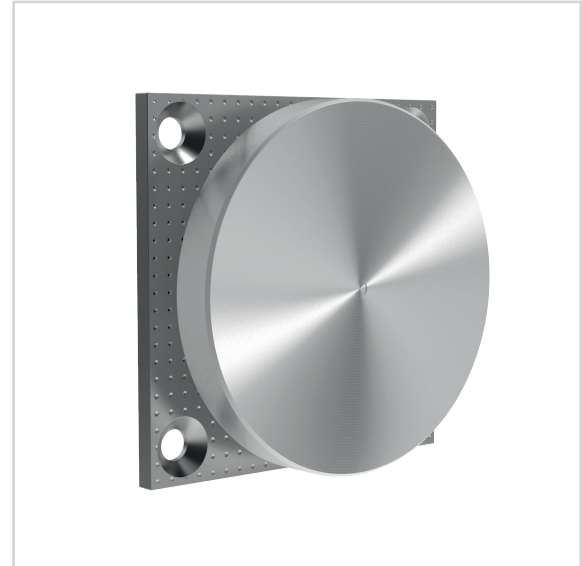
Flexible counter plate with rubber bearing



Website

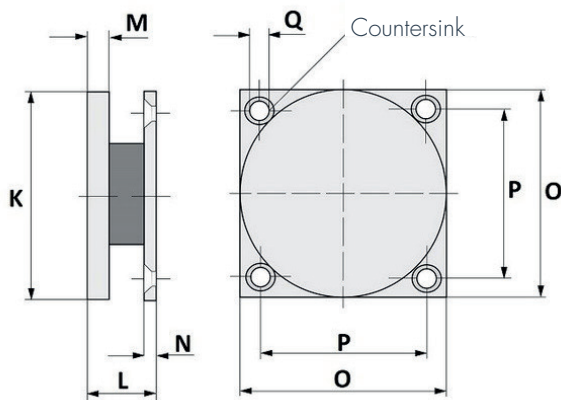
CHARACTERISTICS

- DICTATOR counter plates are adapted to DICTATOR electromagnets in such a way that the full magnetic force is always ensured
- The counter plate must have at least the same diameter as the magnet face of the electromagnet
- Consist of a zinc-plated mounting plate, an elastic joint and a smooth, zinc-plated anchor plate
- The elastic joint between anchor and mounting plate compensates for an angle of up to 10° between door and magnet
- The counter plate must lie flat on the magnetic pole face of the electromagnet
- Tested in combination with DICTATOR electromagnets



DIMENSIONS

All dimensions in mm



	K	L	M	N	O	P	Q
AP GD 40 G14	∅ 44	14	5,5	3	50	40	∅ 4,5
AP GD 50 G16	∅ 54	16	7	3	55	44	∅ 4,5
AP GD 60 G16	∅ 64	16	7	3	65	55	∅ 4,5
AP GD 60 G30	∅ 64	30	7	3	65	55	∅ 4,5
AP GD 60 G60	∅ 64	60	7	3	65	55	∅ 4,5
AP GD 70 G20	∅ 74	20	10	4	75	60	∅ 5,5

TECHNICAL DATA

Surface	zinc-plated
Compensation angle	up to 10°

INSTALLATION



Installation instructions

ORDER INFORMATION

Description	Part no.
AP GD 40 G 14 counter plate	040089
AP GD 50 G 16 counter plate with flexible joint	040025
AP GD 60 G 16 counter plate	040039
AP GD 60 G 30 counter plate	040096
AP GD 60 G 60 counter plate	040084
AP GD 70 G 20 counter plate	040026