

Electromagnets range RI

Electromagnets with IP 65 connection terminal



Website

CHARACTERISTICS

- Connected in the waterproof plastic connection terminal
- In case the magnets are exposed to the sun, they can be manufactured with an UV resistant sealing compound - contains silicone - (part no. 041014)
- Electromagnets EM GD 50 and 60 are designed to be used with 24 VDC as well as 24 VAC
- Equipped with a spark extinction diode as standard: in case of faulty connection, the integrated polarity protection prevents the spark extinction diode from being destroyed
- As counter piece for the electromagnet, a counter plate has to be fixed on the door
- All electromagnets with 'LE 07016' in their description have been tested according to EN 1155
- Some articles may differ from the photo

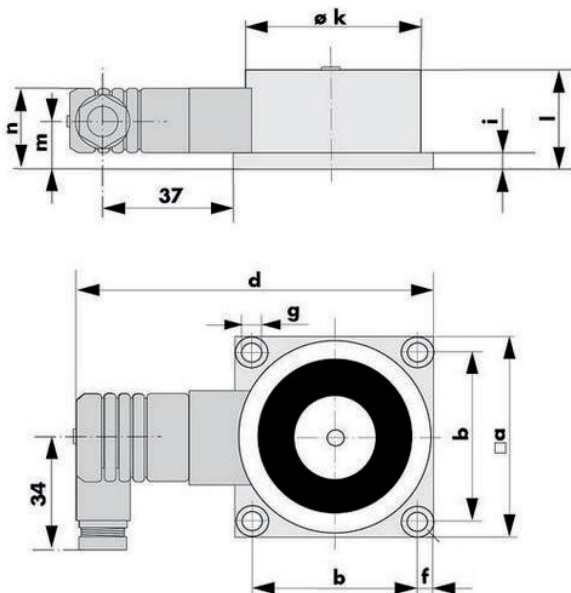


DIMENSIONS

All dimensions in mm

Cable inlet EM GD 50 RI and EM GD 60 RI: PG 9

Cable inlet EM GD 70 RI: PG 11



TECHNICAL DATA

Voltage	24 VDC +/-10 %
Temperature range	-20 °C to +60 °C
Surface	zinc-plated steel
Electrical connection	lateral terminals on the magnet
Remanence	0 N
Duty cycle	100 %
Holding force EM GD 50	600 N
Holding force EM GD 60	700 N
Holding force EM GD 60 S	1000 N
Holding force EM GD 70	1450 N
Power consumption EM GD 50/EM GD 60	67 mA (1.6 W)
Power consumption EM GD 60 S	79 mA (1.9 W)
Power consumption EM GD 70	71 mA (2.6 W)

INSTALLATION



Installation instructions

Type	a	b	d	f	g	i	k	l	m	n
EM GD 50 R 26 I	55	44	100	5,5	ø 4,5	3	ø 50	26	14	18
EM GD 60 R 26 I	65	55	110	5	ø 5,5	3	ø 60	26	14	18
EM GD 70 R 39 I	75	60	118	7,5	ø 5,5	4	ø 70	39	20	18

ORDER INFORMATION

Description	Part no.
EM GD 50 R 26 I electromagnet, 600 N, 24 VDC/AC, LE 07016	040107
EM GD 60 R 26 I electromagnet, 700 N, 24 VDC/AC, LE 07016	040131
EM GD 60 R 26 IS electromagnet, 1000 N, 24 VDC/AC, LE 07016	040132
EM GD 60 R 26 IS electromagnet, 1000 N, 24 VDC/AC, UV resistant execution, grey sealing compound with silicone, LE 07016	041014
EM GD 70 R 39 I electromagnet, 1450 N, 24 VDC, LE 07016	040108
EM GD 70 R 39 I electromagnet, 1450 N, 230 VDC	040208
EM GD 70 R 39 I electromagnet, 1450 N, 230 VAC	040259