

Electromagnets range R

Electromagnets with lateral connection terminal



Website

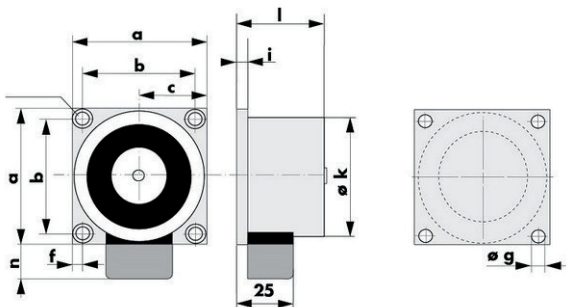
CHARACTERISTICS

- Available with a diameter of 50, 60 and 70 mm; they differ in holding force and size
- Provided with a connection terminal fixed laterally to the magnet for an easy connection
- Magnet and base plate made of zinc-plated steel
- Equipped with a spark extinction diode as standard: in case of faulty connection, the integrated polarity protection prevents the spark extinction diode from being destroyed
- As counter piece for the electromagnet, a counter plate has to be fixed on the door
- All electromagnets with 'LE 07016' in their description have been tested according to EN 1155
- Some articles may differ from the photo



DIMENSIONS

All dimensions in mm



| Type | a | b | c | f | g | i | k | l | n |
|---------------|----|----|------|-----|-------|---|------|----|----|
| EM GD 50 R 26 | 55 | 44 | 27,5 | 5,5 | ∅ 4,5 | 3 | ∅ 50 | 26 | 18 |
| EM GD 60 R 26 | 65 | 55 | 32,5 | 5,5 | ∅ 4,5 | 3 | ∅ 60 | 26 | 18 |
| EM GD 70 R 39 | 75 | 60 | 37,5 | 7,5 | ∅ 5,5 | 4 | ∅ 70 | 39 | 18 |

INSTALLATION



Installation instructions

TECHNICAL DATA

| | |
|--|-------------------|
| Voltage | 24 VDC +/-10 % |
| Protection | IP 20 |
| Temperature range | -20 °C to +60 °C |
| Surface | zinc-plated steel |
| Remanence | 0 N |
| Duty cycle | 100 % |
| Holding force EM GD 50 | 600 N |
| Holding force EM GD 60 | 700 N |
| Holding force EM GD 60 S | 1000 N |
| Holding force EM GD 70 | 1450 N |
| Holding force EM GD 70 S | 1700 N |
| Holding force EM GD 70 R | 2000 N |
| Power consumption EM GD 50/EM GD 60 | 67 mA (1.6 W) |
| Power consumption EM GD 60 S | 79 mA (1.9 W) |
| Power consumption EM GD 70 | 71 mA (1.7 W) |
| Power consumption EM GD 70 S/EM GD 70R | 142 mA (3.4 W) |

ORDER INFORMATION

| Description | Part no. |
|---|----------|
| EM GD 50 R 26 electromagnet, 600 N, 24 VDC, LE 07016 | 040021 |
| EM GD 60 R 26 electromagnet, 700 N, 24 VDC, LE 07016 | 040133 |
| EM GD 60 R 26 S electromagnet, 1000 N, 24 VDC, LE 07016 | 040134 |
| EM GD 70 R 39 electromagnet, 1450 N, 24 VDC, LE 07016 | 040023 |
| EM GD 70 R 39 S electromagnet, 1700 N, 24 VDC | 040117 |
| EM GD 70 R 39 R electromagnet, 2000 N, 24 VDC | 040118 |