

Electromagnets range K

For wall installation, with plastic base and optional release button



Website

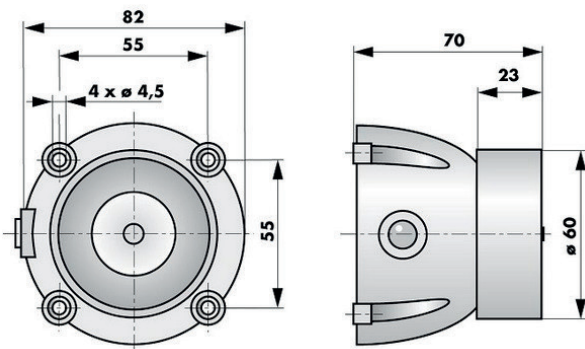
CHARACTERISTICS

- Allows to compensate large distances between door and wall without using a distance tube
- Available with or without integrated release button
- Equipped with a spark extinction diode as standard: in case of faulty connection, the integrated polarity protection prevents the spark extinction diode from being destroyed
- As counter piece for the electromagnet, a counter plate has to be fixed on the door
- All electromagnets with 'LE 07016' in their description have been tested according to EN 1155
- Some articles may differ from the photo



DIMENSIONS

All dimensions in mm



TECHNICAL DATA

Voltage	24 VDC +/-10 %
Power consumption	67 mA (1.6 W)
Temperature range	-20 °C to +60 °C
Surface	zinc-plated
Casing	plastics, black
Holding force	700 N
Remanence	0 N
Duty cycle	100 %

INSTALLATION



Installation instructions

ORDER INFORMATION

Description	Part no.
EM GD 60 K 70 electromagnet, 700 N, 24 VDC, LE 07016	040223
EM GD 60 K 70 oT electromagnet, 700 N, 24 VDC, LE 07016	040224