

Electromagnets range FT

Electromagnets with plastic casing and interrupter key



Website

CHARACTERISTICS

- Cased in plastic for high aesthetic requirements
- Casing can be removed for an easy installation
- On the base plate there is a connection terminal for easy wiring
- With an interrupter key on top of the casing
- Two models available, depending on the cable insertion:
 - Insertion of the connection cable via a boring in the mounting plate (EM GD 60 F 26 T)
 - Insertion of the connection cable via a lateral PG 7 cable inlet (EM GD 60 F 26 TK), either on the left or right side
- Equipped with a spark extinction diode as standard: in case of faulty connection, the integrated polarity protection prevents the spark extinction diode from being destroyed
- As counter piece for the electromagnet, a counter plate has to be fixed on the door
- All electromagnets with 'LE 07016' in their description have been tested according to EN 1155
- Some articles may differ from the photo



TECHNICAL DATA

Voltage	24 VDC +/-10 %
Power consumption	67 mA (1.6 W)
Temperature range	-20 °C to +60 °C
Surface	zinc-plated
Electrical connection	connection terminal on base plate
Casing	white plastic casing
Holding force	700 N
Remanence	0 N
Duty cycle	100 %

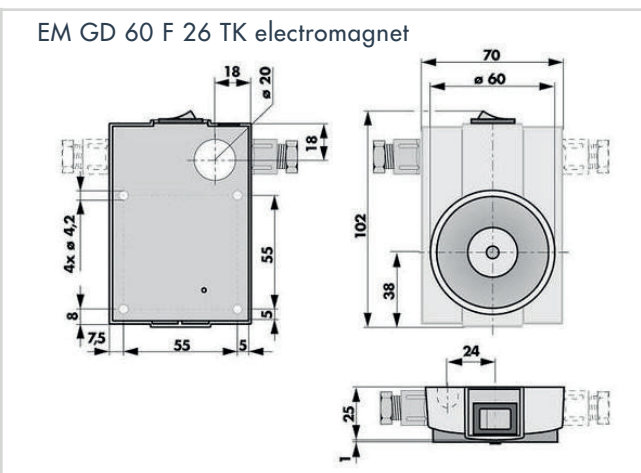
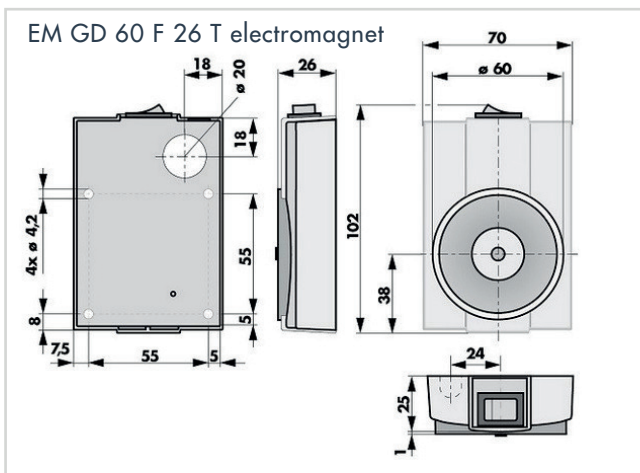
INSTALLATION



Installation instructions

DIMENSIONS

All dimensions in mm



ORDER INFORMATION

Description	Part no.
EM GD 60 F 26 T, 700 N, 24 VDC, LE 07016	040097
EM GD 60 F 26 TK electromagnet, 700 N, 24 VDC, LE 07016	040045