

Electromagnets range FB

Electromagnets for installation on the floor



Website

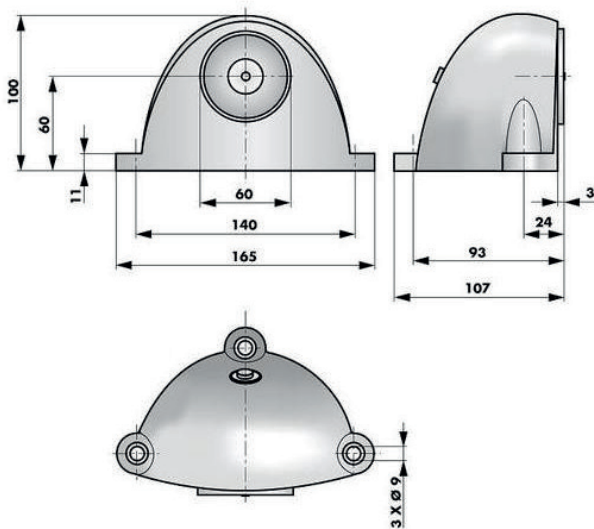
CHARACTERISTICS

- Sturdy and robust cast aluminum casing, perfect for this installation position, as the electromagnet can be exposed to impacts or water
- Rust-free material
- Can be furnished either with or without release key on the back of the casing
- Equipped with a spark extinction diode as standard: in case of faulty connection, the integrated polarity protection prevents the spark extinction diode from being destroyed
- As counter piece for the electromagnet a counter plate has to be fixed on the door
- All electromagnets with 'LE 07016' in their description have been tested according to EN 1155
- Some articles may differ from the photo



DIMENSIONS

All dimensions in mm



TECHNICAL DATA

Voltage	24 VDC +/-10 %
Power consumption	67 mA (1.6 W)
Temperature range	-20 °C to +60 °C
Surface	zinc-plated; aluminum
Holding force	700 N
Remanence	0 N
Duty cycle	100 %

INSTALLATION



Installation instructions

ORDER INFORMATION

Description	Part no.
EM GD 60 FB electromagnet, 700 N, 24 VDC, LE 07016	040370
EM GD 60 FB oT electromagnet, 700 N, 24 VDC, LE 07016	040371