

Electromagnets range F

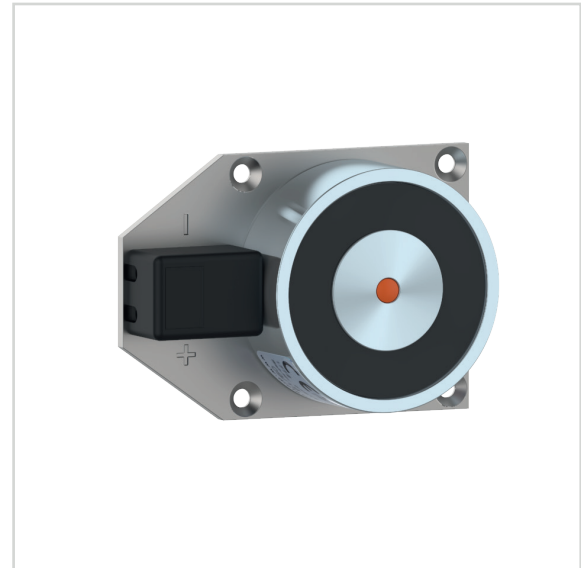
Electromagnets with connection terminal on the mounting plate



Website

CHARACTERISTICS

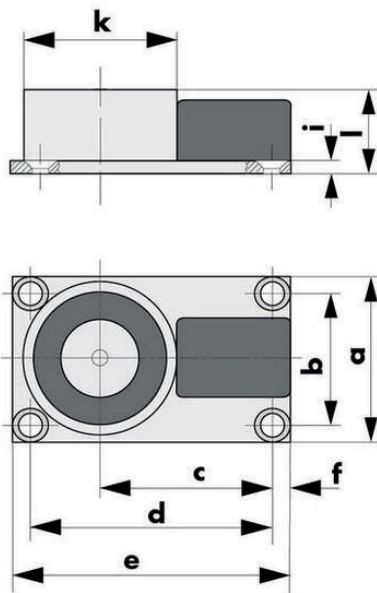
- Includes electromagnets EM GD 40, EM GD 50, EM GD 60 and EM GD 70 (different holding force and size)
- Connection terminal on the mounting plate of the magnet
- Magnet and base plate of zinc-plated steel as standard
- Equipped with a spark extinction diode as standard: in case of faulty connection, the integrated polarity protection prevents the spark extinction diode from being destroyed
- As counter piece for the electromagnet, a counter plate has to be fixed on the door
- All electromagnets with 'LE 07016' in their description have been tested according to EN 11557
- Some articles may differ from the photo



DIMENSIONS

All dimensions in mm

EM GD 40 F23 and EM GD 50 F 26 magnets



TECHNICAL DATA

Voltage	24 VDC +/-10 %
Temperature range	-20 °C to +60 °C
Surface	zinc-plated steel
Remanence	0 N
Duty cycle	100 %
Holding force EM GD 40	300 N
Holding force EM GD 50	600 N
Holding force EM GD 60	700 N
Holding force EM GD 60 S	1000 N
Holding force EM GD 70	1450 N
Holding force EM GD 70 S	1700 N
Holding force EM GD 70 R	2000 N
Power consumption EM GD 40	75 mA (1.8 W)
Power consumption EM GD 50/EM GD 60	67 mA (1.6 W)
Power consumption EM GD 60 S	79 mA (1.9 W)
Power consumption EM GD 70	71 mA (1.7 W)
Power consumption EM GD 70 S/EM GD 70 R	142 mA (3.4 W)

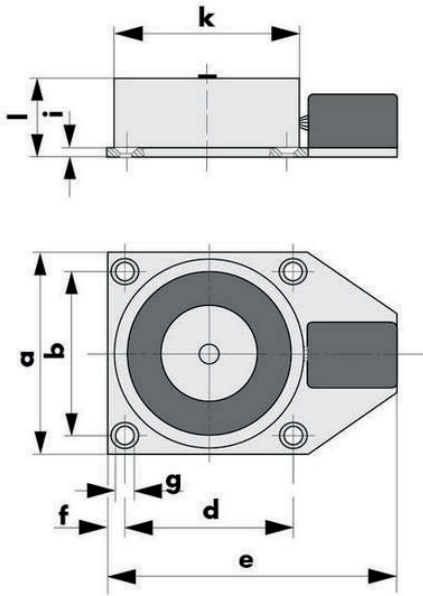
Type	a	b	c	d	e	f	g	i	k	l
EM GD 40 F 23	45	35	45	63	73	5	ø 4,5	3	ø 40	23
EM GD 50 F 26	55	44	51	74	83	4,5	ø 4,5	3	ø 50	26

INSTALLATION



Installation instructions

EM GD 60 F 26 and EM GD 70 F 39 magnets



Type	a	b	d	e	f	g	i	k	l
EM GD 60 F 26	65	55	55	93	5	ø 4,5	3	ø 60	26
EM GD 70 F 39	75	60	60	103	7,5	ø 5,5	4	ø 70	39

ORDER INFORMATION

Description	Part no.
EM GD 40 F 23 electromagnet, 300 N, 24 VDC	040085
EM GD 50 F 26 electromagnet, 600 N, 24 VDC, IE 07016	040106
EM GD 60 F 26 electromagnet, 700 N, 24 VDC, IE 07016	040049
EM GD 60 F 26 S electromagnet, 1000 N, 24 VDC, IE 070016	040163
EM GD 70 F 39 electromagnet, 1450 N, 24 VDC, IE 07016	040037
EM GD 70 F 39 S electromagnet, 1700 N, 24 VDC	040115
EM GD 70 F 39 R electromagnet, 2000 N, 24 VDC	040122