

Central unit RZ-24

For power supply and evaluation of fire detectors



Website

CHARACTERISTICS

- Complies with the requirements of the norm EN 14637
- Tested and approved by the DIBt (German institute for building engineering)
- With integrated manual release button
- Due to its high power (900 mA), even large hold-open system can be operated with just one central unit
- Optionally available in a large casing, with sufficient space for additional components such as relay boards or an emergency power supply (see Additional components for RZ-24)
- Also suitable for EX-proof hold-open systems

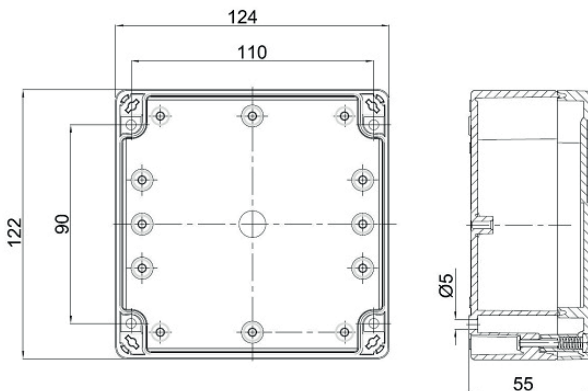
FUNCTIONS

- All essential functions (power supply, control of fire detectors, Reset, hand release button) are combined in one device, so that only fire detectors and electromagnets have to be connected
- Resetting the hold-open system after an alarm is also done with the central unit
- In addition to the alarm in case of fire, malfunctions such as short circuits or wire breaks in the system are also detected

DIMENSIONS

All dimensions in mm

Central unit RZ-24

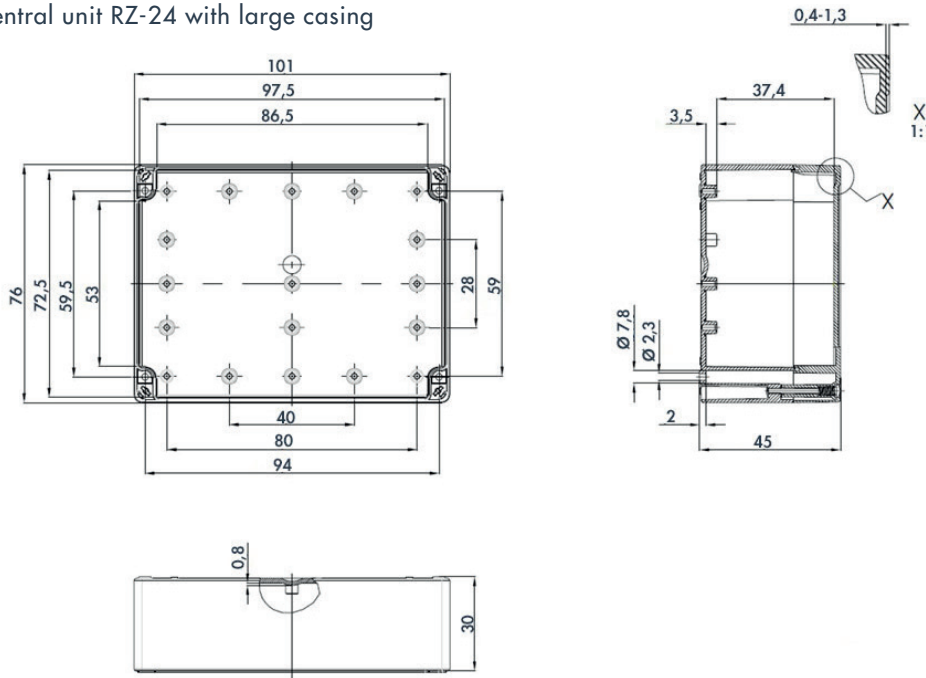


TECHNICAL DATA

Supply voltage	85 VAC - 265 VAC, 50/60 Hz
Power consumption	about 30 W, own consumption about 30 mA
Additional switching contact	potential-free contact 8 A/<250 V~/AC1 (relay fallen off = tripping)
Secondary output voltage	24 VDC ±5 %
Secondary total load	0.9 A supply of fire detectors, electromagnets and other consumers)
Operating temperature	-25 °C to +40 °C
IP rating	IP 64 when IP 64 cable inlets are used
Casing	plastic casing in ABS, light grey, with 4 threads M16 for cable inlets
Emergency power supply	on demand, up to max. 10 minutes (at a consumption of 100 mA)
Keys on the casing	integrated release key (1) integrated RESET key (2) key quitting horn: switches the horn off after an alarm. (4)
Indications on the casing	Green LED = operation (normal operation) (3) Red LED = alarm (error or alarm) (3)



Central unit RZ-24 with large casing



INSTALLATION



Technical manual

FUNCTIONS IN DETAIL

Functions of the standard model

- Manual release of the hold-open system by means of either the integrated hand-release switch or an additional one (mounted in the immediate vicinity of the fire door)
- Tripping the hold-open system by the connected fire detectors, as well as the fire detectors (by the potential-free contact of a fire alarm central)
- Reset of the complete hold-open system: first, use the hand-release switch to reset the fire detector and then the reset switch on the central unit RZ-24 to reset the whole system
- Automatic RESET after a power cut (NOT after a manual tripping or a fire alarm)
- Integrated over-current protection: if there are too many consumers connected, the power supply automatically cuts off
- Potential-free contact for signaling the tripping, e.g. for sending the alarm-status to a central control system, an additional warning device, etc. If there is a door drive integrated in the hold-open system, the contact is used to cut the power supply of the control unit of the door operator in the event of an alarm, so that the door is closed mechanically (door closer, closing spring or counterweight)
- Status indication for normal operation and alarm on the cover of the central

Additional functions - optional

- Rechargeable battery buffering: depending on the consumption of the connected fire detectors, electromagnets and other consumers - up to 10 minutes can be bridged in the event of failure of the 230 VAC supply (usable capacity 0.022 Ah)
- Additional relay contacts (circuit boards with one, two or four relay contacts, each a change-over contact 2 A/30 VDC)
- Additional circuit board for the automatic reset of the RZ-24 central unit after a power outage or fire alarm (however, the tripping fire detector has to be reset additionally by means of a hand-release switch)
- Further options on demand
- More information on Additional functions and accessories for central unit RZ-24

ORDER INFORMATION

Description	Part no.
RZ-24 central unit with power supply and tripping device, 0.9 A	040553
RZ-24 central unit with power supply and tripping device, 0.9 A, IP 64, 202x152x90 mm (big casing)	040554
Power supply with integrated release device RZ-24, 0.9 A, IP 64, 202x152x90 mm (big housing), emergency power supply and time relay circuit board as signal control for sliding doors	040561-2