

DICTAMAT SPR

Small but with high-performance



Website

CHARACTERISTICS

- Available for 230 VAC as well as for 24 VDC
- Can be easily retrofitted
- Usually, the opening command is given by means of a push-button or by another transmitter (e.g. radar, radio). However, push-and-go is also possible
- Suitable for frequent operation (up to 600 cycles per day, at 2/3 of the max. weight)
- The door can be closed either by push-button or automatically after an adjustable time (0 – 30 seconds)
- Can be upgraded with a set of rechargeable batteries upon request, so that in the event of a power failure, emergency operation is temporarily possible
- Delivered with a stainless steel cover

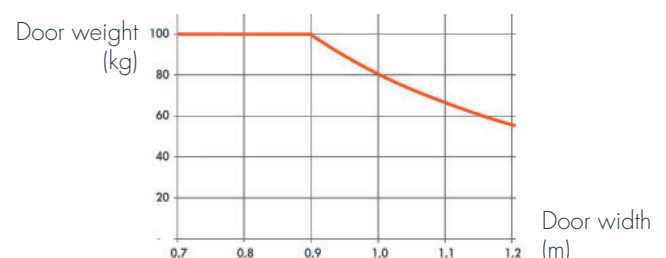


FUNCTIONS

- **Open command:**
 - by push-button (standard)
 - push-and-go (when briefly pushing the door by hand, this activates the door operator and it opens the door automatically; adjustable in the standard version)
 - optional by radar or radio (requires additional components)
- **Close command:**
 - by push-button (standard)
 - automatic closing ((door closes automatically after an adjustable time)
 - optional by radar or radio (requires additional components)
- **Safety (obstacle detection) during opening:** When the door opens and meets an obstacle, the door stops immediately
- **Safety (obstacle detection) during closing:** When the door closes and meets an obstacle, the door reverses immediately, i.e. it opens again
- **Door permanently open:** Using the button on the outside of the DICTAMAT SPR housing, the operator can be switched off completely. After switching on, the operator then performs the following two movements (closing and opening) at creep speed (final position check)
- **Moving during power failure:** The operator runs smoothly without power so that the door can be opened/closed by hand without effort in the event of a power failure

TECHNICAL DATA

Rated input voltage	24 VDC	230 VAC / 50/60 Hz
Consumption	3 A	0,5 A
Motor rating	120 W	120 W
Torque	25 Nm	25 Nm
Power supply for additional components	24 VDC / max. 0,3 A	24 VDC / max. 0,3 A
Opening time	min. 3 s/90°, max. 6 s/90° (adjustable)	
Closing time	min. 3 s/90°, max. 6 s/90° (adjustable)	
Hold-open time delay	0 - 30 s (adjustable)	
Hold-open time with closing delay	<ul style="list-style-type: none"> ■ with 900 mm door width max. 100 kg ■ with 1000 mm door width max. 80 kg (see diagram below) 	
Opening angle	max. 100°	
Duty cycle	80 %	80 %
IP rating	IP 30	IP 30
Operating temperature range	-10 °C to max. +50 °C	
Position control	encoder, teach-in via automatic teach-in run	

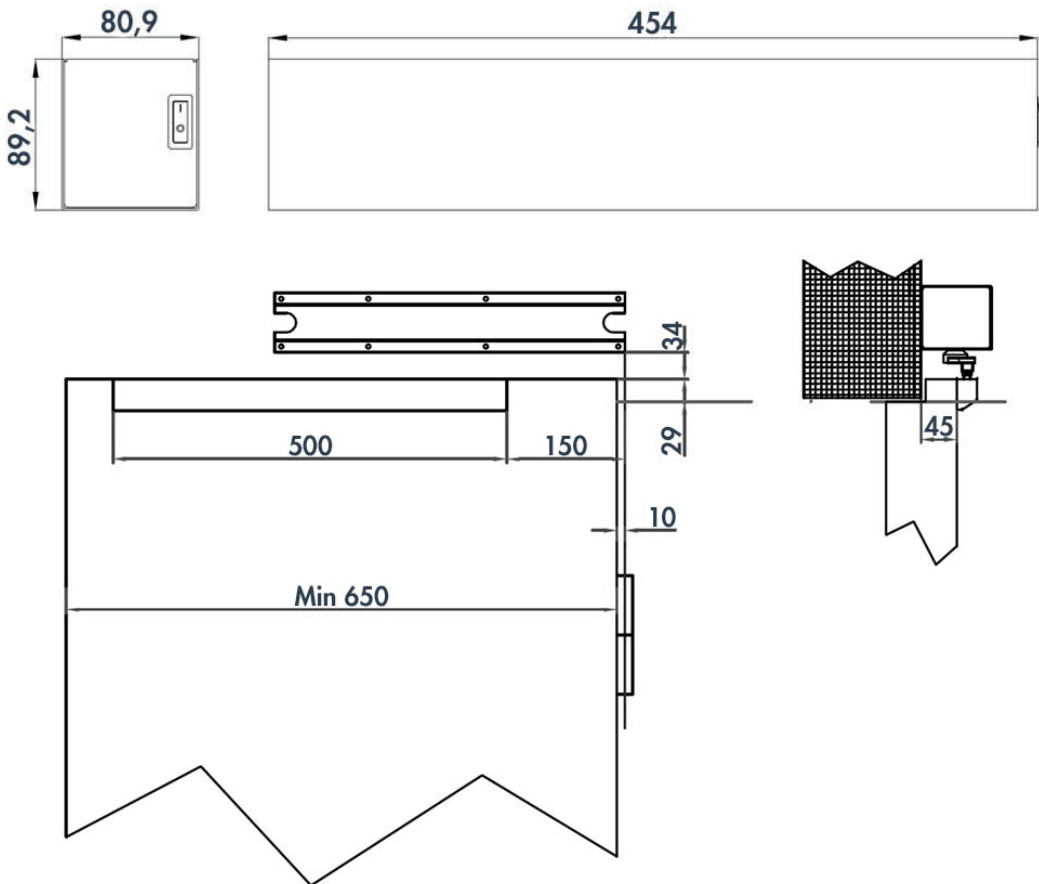


DIMENSIONS

All dimensions in mm



Questionnaire



COMPONENTS

Standard components included in delivery

- Operator for hinged door with pre-assembled mounting plate
- Arm & guide rail
- Mounting tray and stainless steel cover for the operator
- Stainless steel cover for the guide rail

Additional components

- If desired, additional safety and operating equipment can be connected to the operator

ORDER INFORMATION

Description	Part no.
DICTAMAT SPR door operator with stainless steel casing sliding arm (pulling), guide rail with stainless steel cover, 24 VDC, incl. control system	710141
DICTAMAT SPR door operator with stainless steel casing sliding arm (pulling), guide rail with stainless steel cover, 230 VAC, incl. control system	710140