

DICTAMAT Move

Modular operator system for sliding doors up to 2000 kg






Website

CHARACTERISTICS

- For doors & gates up to 10 m (standard version)
- Standard pull force: 1000 N and 1400 N (on request also available from 400 N)
- Motor runs smoothly at standstill
- No electromagnetic clutch required
- Allows compliance with the Machinery Directive
- Positioning: built-in encoder with reference switch or separate limit switches (on request)
- Worm gearbox
- Suitable control units: Multi Control (DC) / Square 940-2 (AC)



TECHNICAL DATA

	DC 200 Z P+	AC 0,18 P+	AC 0,37 Z P+
			
Max. drive force motor	1000 N	1000 N	1700 N
Max. opening & closing speed (m/s)	0,29	0,19	0,19
Drive voltage	24 VDC	230 VAC	230 VAC
Brake voltage	24 VDC	24 VDC	24 VDC
Duty cycle	20% ED	30% ED	30% ED
Protection class	IP 44	IP 54	IP 54
Doors/gates up to*	900 kg	1200 kg	2000 kg
Suitable control unit	Multi Control	Square 940-2	Square 940-2

* The given weights are just reference values. The determining point is how easily the door moves

COMPONENTS



Standard components included in delivery

1. Door operator with U-bracket
2. Idler pulley with U-bracket
3. Belt fixing device

Additional components

4. Wall bracket
5. Toothed belt (to be ordered separately in the required length and size)
6. Supporting roller with U-bracket
7. Belt fixing device > second door leaf



Questionnaire

DIMENSIONS

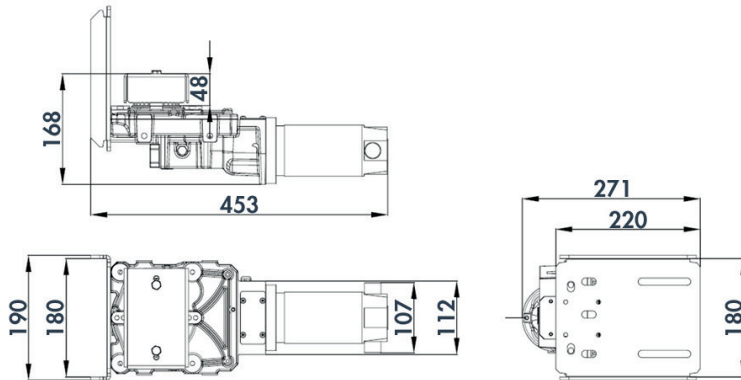
All dimensions in mm

INSTALLATION

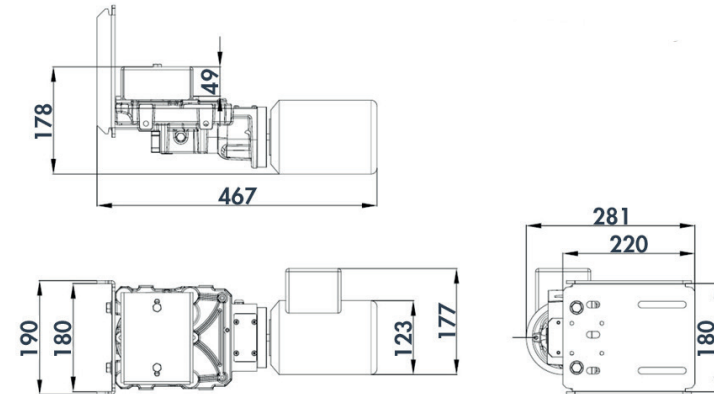


Technical manual

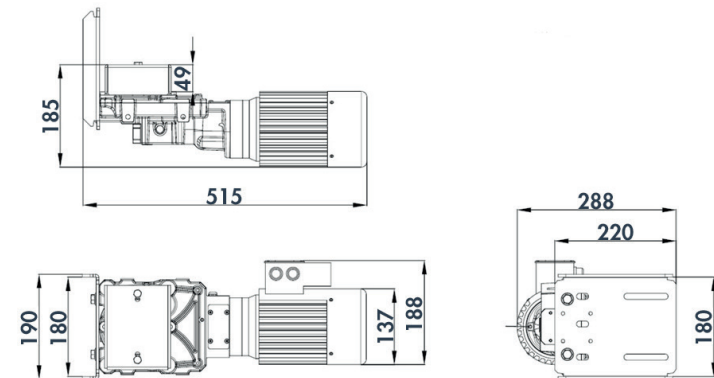
DICTAMAT Move DC 200 Z



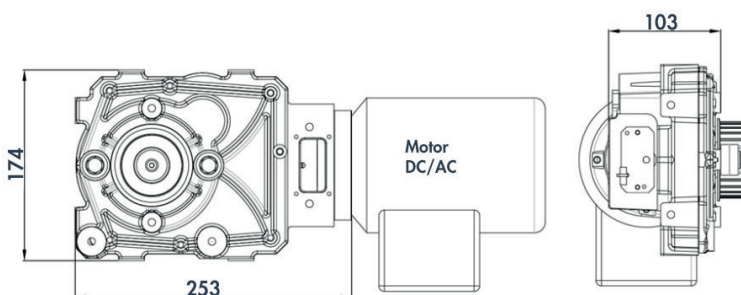
DICTAMAT Move AC 0,18



DICTAMAT Move AC 0,37 Z



Gear unit

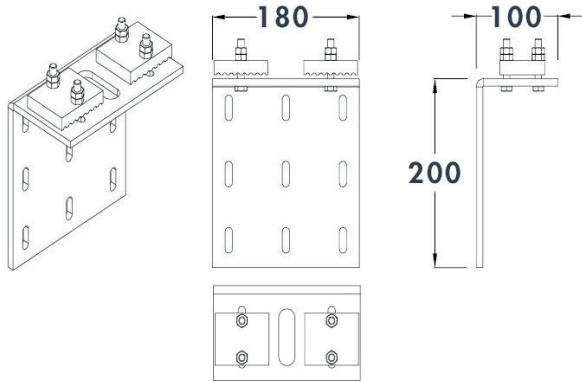


ACCESSORIES

All dimensions in mm

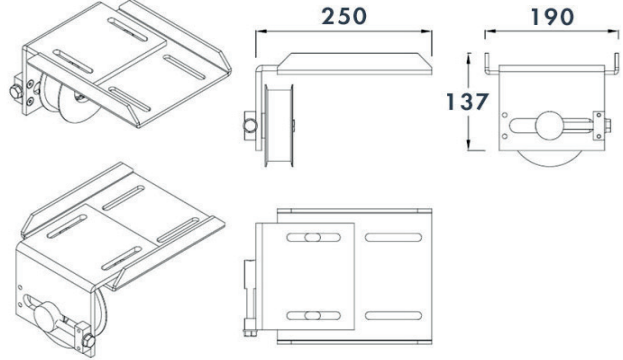
Belt fixing bracket

Art. no. 790620



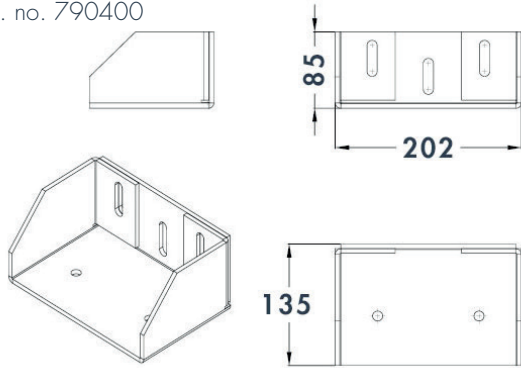
Idler pulley with tensioning device

Art. no. 790600



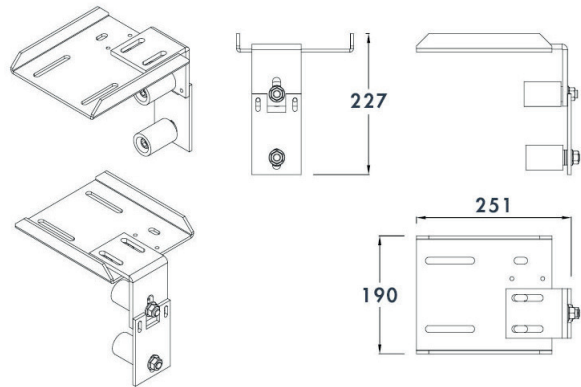
Wall bracket DC & AC 0.18 kW / idler pulley / supporting roller

Art. no. 790400



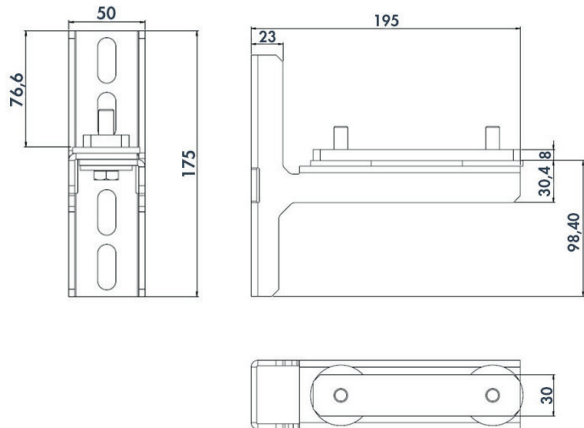
Supporting roller for 20/30 mm toothed belt

Art. no. 790410



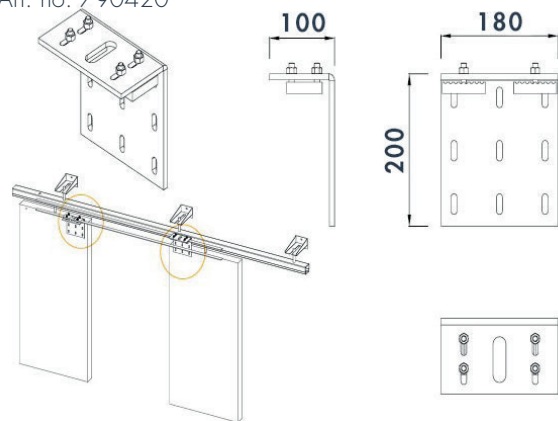
T-holder

Art. no. 790404



Belt fixing device for 2nd leaf on double leaf doors (20/30 mm toothed belt)

Art. no. 790420



Toothed belt



Material	PU (polyurethane)
Tensile material	steel cord
Temperature range	-30° to +80 °C
Resistant against	UV, Ozone, oil & grease
Tension load	Toothed belt 20 mm wide: 2680 N (DC) Toothed belt 30 mm wide: 4030 N (AC)

ORDER INFORMATION

Description	Part no.
Door operator DICTAMAT Move DC 200 Z P+	740010
Door operator DICTAMAT Move AC 0,18 Z P+	740055
Door operator DICTAMAT Move AC 0,37 Z P+	740060

ACCESSORIES

Description	Part no.
Idler pulley for DICTAMAT 900-21-0.18 kW and Dictamat Move DC/AC	790600
Door fixing device, complete, for toothed belt 30 mm	790620
Wall bracket for DICTAMAT 900-21 0.18 kW or for idler pulley & support roller	790400
Supporting roller for 20/30 mm toothed belt	790410
Door fixing device for second door leaf (toothed belt 20/30 mm)	790420
Toothed belt HDT8, 20 mm wide, white, price per meter	710490W
HTD 8M toothed belt, 30 mm wide, price per meter	710491
T-holder plug-in mounting Dictamat Move helmet rail incl. counter plate for rail Helmet 400	790404