

# DOOR HOLDERS





DICTATOR door holders stand out for their robust construction and attractive design.

The door holder ZE is intended to keep doors in any position.

Should the door always be kept open in the same position and avoid having to fix or release the door holder every time when opening/closing the door, the door stop and buffer is the right choice.

## TABLE OF CONTENTS - DOOR HOLDERS

	Page
 Door holders ZE ..... 02.05.04 Keeps the door in any position	02.05.04
 Door stop and buffer ..... 02.05.06 Holds the door open in a determined position	02.05.06

Subject to technical changes. No claim for compensation in case of errors.

# Door holder ZE

Locking of doors in any position



Website

## CHARACTERISTICS

- Very solid and robust design
- Comfortable operation by foot
- Very resistant, even against vandalism, as the housing is made of a single casting
- The door holders are made of non-rusting materials (all metal parts are aluminium / stainless steel) and thus perfect for outdoor use outdoors or in humid environments
- Firm hold even on very smooth or uneven floors, thanks to an integrated spring that firmly presses the foot against the floor.

## DOOR HOLDER ZE SERIES

- **Standard series:** robust and inexpensive version with strokes from 25 mm to 105 mm
- **Design Line series:** highly compact design, even with long stroke length from 80 mm to 200 mm, in which the piston rod is not visible when retracted



## VERSIONS

Model	Stroke	Color	Series
ZE 25	25 mm	satın-finisli silver (RAL on demand)	Standard
ZE 60	60 mm	satın-finisli silver jet black RAL 9005	Standard
ZE 75	75 mm	satın-finisli silver (RAL on demand)	Standard
ZE 80	80 mm	satın-finisli silver white RAL 9010 jet black RAL 9005	Design Line
ZE 90	90 mm	satın-finisli silver jet black RAL 9005	Standard
ZE 105	105 mm	satın-finisli silver (RAL on demand)	Standard
ZE 120	120 mm	satın-finisli silver white RAL 9010 jet black RAL 9005	Design Line
ZE 160	160 mm	satın-finisli silver white RAL 9010 jet black RAL 9005	Design Line
ZE 200	200 mm	satın-finisli silver white RAL 9010 jet black RAL 9005	Design Line

## TECHNICAL DATA

Stroke length Standard Line	25; 60; 75; 90; 105 mm
Stroke length Design Line	80; 120; 160; 200 mm
Material	Aluminium (casing); stainless steel/plastic (other components)
Finish Standard Line	Silver; black (RAL 9005); other finishes on demand
Finish Design Line	Silver; black (RAL 9005); white (RAL 9010)
Components included	Door holder, fixing screws

## OPERATION

The door is held in the desired position simply by pressing down the piston rod. In the Standard series, this is done via the rubber nub at the top of the door stop, in the Design Line series with the metal foot, at the bottom of the housing. A small spring firmly presses the foot against the floor, preventing it from slipping away.

To release the hold-open simply step down on the metal plate above the housing (Standard) or at the bottom of the housing (Design Line). The piston rod automatically moves upwards and the door can be operated freely again.

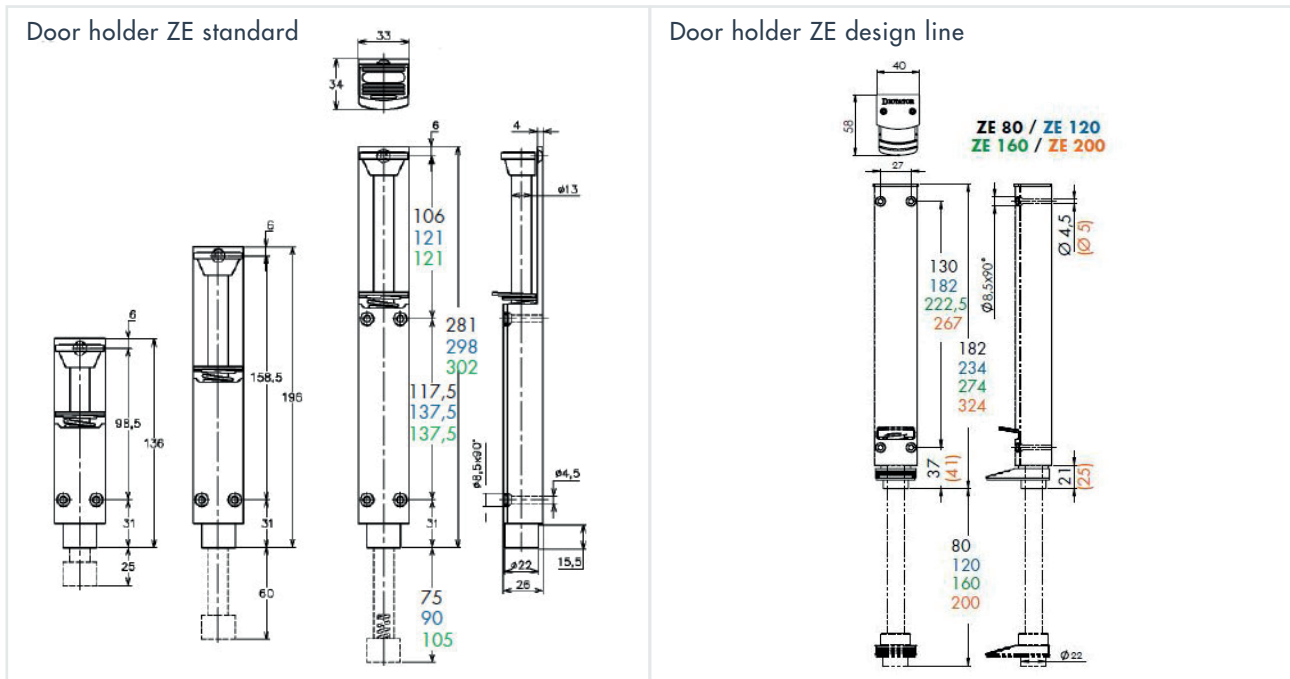
## INSTALLATION



Installation instructions

## DIMENSIONS

All dimensions in mm



## ORDER INFORMATION

Description	Part no.
ZE 80 door holder Design Line, satin silver	500235
ZE 80 door holder, Design Line, jet black RAL 9005	500239
ZE 80 door holder, Design Line, white RAL 9010	500237
ZE 120 door holder Design Line, satin silver	500236
ZE 120 door holder, Design Line, jet black RAL 9005	500240
ZE 120 door holder, Design Line, white RAL 9010	500238
ZE 160 door holder Design Line, satin silver	500233
ZE 160 door holder, Design Line, jet black RAL 9005	500241
ZE 160 door holder, Design Line, white RAL 9010	500234
ZE 200 door holder Design Line, satin silver	500242
ZE 200 door holder, Design Line, jet black RAL 9005	500244
ZE 200 door holder, Design Line, white RAL 9010	500243
ZE 25 door holder, satin silver	500200
ZE 60 door holder, satin silver	500210
ZE 60 door holder, jet black RAL 9005	500213
ZE 75 door holder, satin silver	500220
ZE 90 door holder, satin silver	500230
ZE 90 door holder, jet black RAL 9005	500229
ZE 105 door holder, satin silver	500225

# Door stop and buffer

Holds the door open in a determined position



Website

## CHARACTERISTICS

- Inconspicuous design
- Adjustable holding force
- Due to its flat design, it does not represent an obstacle
- Thanks to its aluminium casing, the door holder can also be installed outdoors
- The flat plate is fixed to the floor on the spot in which the door is to be held open
- The rubber buffer on the plate gently slows down the door when thrown open, thus protecting both door and hinges

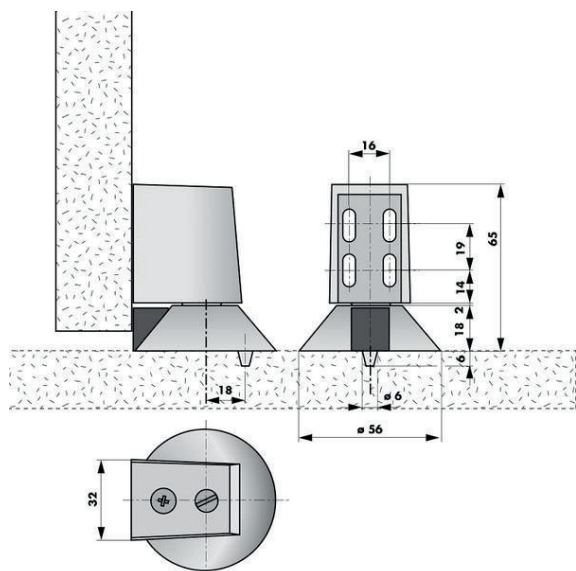
## FUNCTION

- Stops the door gently when opening
- Prevents door from opening beyond the desired angle
- Holds the door open in the desired position



## DIMENSIONS

All dimensions in mm



## TECHNICAL DATA

Door weight	max. 40 kg
Door height	max. 2200 mm
Door width	max. 1000 mm
Finish	Silver stone-enamelled; dark brown stove-enamelled
Material	Aluminium (plate), rubber (buffer)
Components included	Casing with ball, plate with rubber buffer, M8x50 countersunk head screw, dowel

## INSTALLATION



Installation instructions

## ORDER INFORMATION

Description	Part no.
Door stop and buffer, silver enamelled	500310
Door stop and buffer, dark brown enamelled	500311
Door stop and buffer, polished brass	500312

