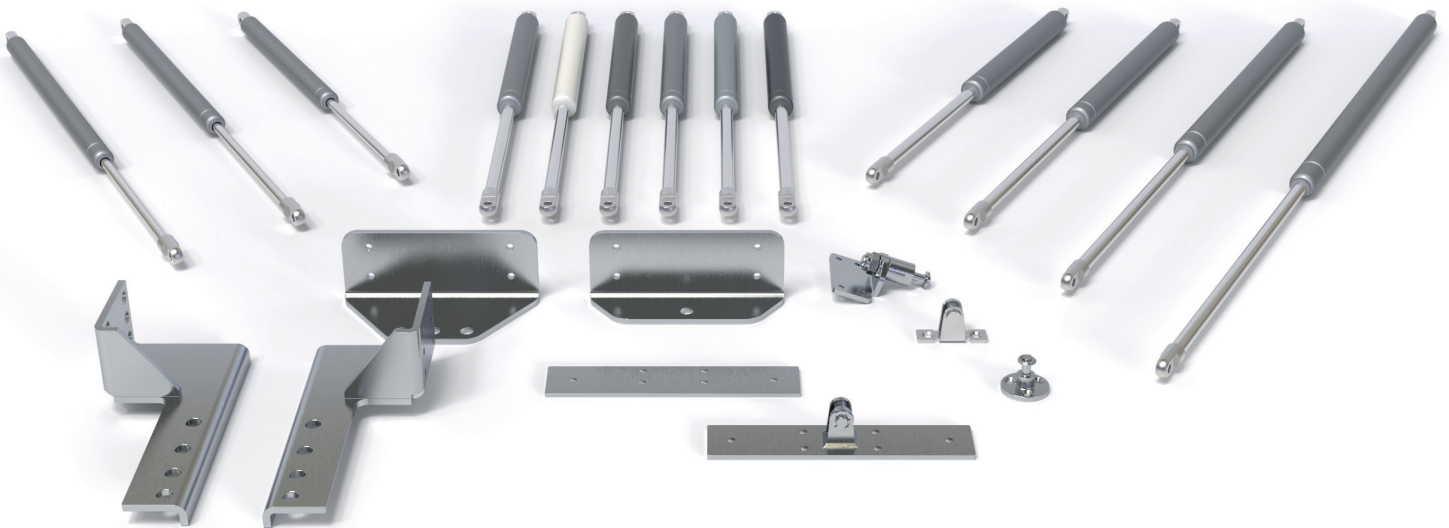


BACK CHECKS




They slow down doors / windows that open too fast and limit their opening angle. Thus they prevent damages to the door and the hinges.

Beside the damage this could cause to the door, fittings and possibly the wall, doors opening at an uncontrolled speed also present a risk of accident not to be underestimated.

Back checks are used on doors which could slam open against a wall or some other obstacle by gusts of wind, breeze or just simply by being torn from the users' hand when opening.

TABLE OF CONTENTS - BACK CHECKS

	Page
 Back checks TB series 02.04.04 Non-adjustable models	02.04.04
 Back checks TBR series 02.04.08 Models with adjustable damping force	02.04.08
 Installation accessories 02.04.12 Back check sets, installation accessories	02.04.12

Subject to technical changes. No claim for compensation in case of errors.

Back check TB series

Non-adjustable model



Video



Website

CHARACTERISTICS

- Dampens doors when opening speed is too high
- With fixed damping force
- Optionally available with integrated mechanical hold-open
- Can be used in combination with an overhead door closer
- The opening angle at which the damping starts can be adjusted by reducing the oil filling quantity

MODELS AND ACCESSORIES

- **Selection criteria:** The TB back checks are available in different versions depending on the door weight, door leaf width and installation situation. The diagram in the section 'selection criteria' provides orientation for selecting the appropriate model
- **Models:** The available standard types are listed in the 'models & dimensions' section
- **Finish:** Cylinder in RAL 9006 satin as standard (see 'Finish' for more colours)
- **Components included:** By default, back checks are always supplied with an eyelet, both on piston rod and cylinder
- **Accessories sets:** Information on the various accessories-sets can be found under 'Standard sets'



FINISH

- Standard colour cylinder

RAL 9006

White aluminium

- Preferential colors cylinder: inexpensive and fast lead times available for the following colours

RAL 7040

Window grey

RAL 7016

Anthrazite grey

RAL 9005

Jet black

RAL 9007

Grey aluminium

RAL 9016

Traffic white

- Custom colors: other RAL colors are available upon request.

TECHNICAL DATA

Material	Piston rod hard chromed; piston rod AISI 304; piston rod AISI 316; cylinder steel painted RAL 9006 satin (end fittings and fixing accessories zinc-plated); cylinder AISI 304; cylinder AISI 316
Further colours for the cylinder	On demand the cylinder can be furnished also in other RAL colours. We offer some colours that - compared to other colours - are available for a small additional cost and within a relatively short lead time. These colours are: RAL 7040, 7016, 9005, 9007, 9016 (all satin finish)
Door weight	max. 200 kg; heavier doors on demand
Opening angle	max. 120°, see information on the different types
Additional options	hold-open

INSTALLATION

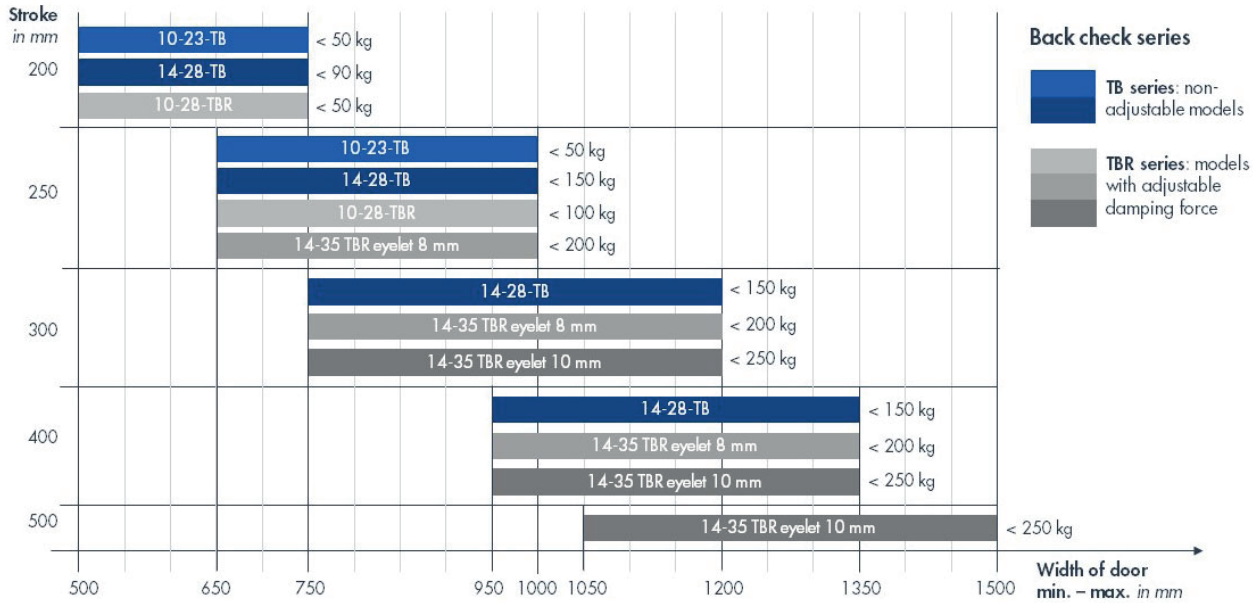


Installation instructions

SELECTION CRITERIA

Back check selection guide

Note: The following diagram serves only as a rough guide. In addition to the door leaf width and weight, in every individual case other factors must be taken into account. Please contact our customer advisory service.

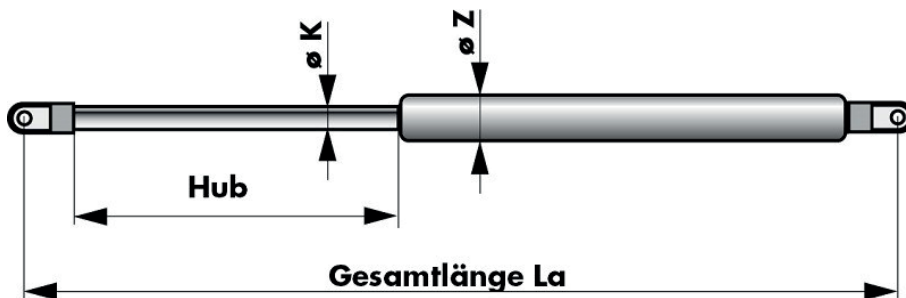


MODELS & DIMENSIONS

Back checks are essentially defined by the diameter of the piston K, of the cylinder Z, the stroke (= Hub) and their total length La (= Gesamtlänge La).

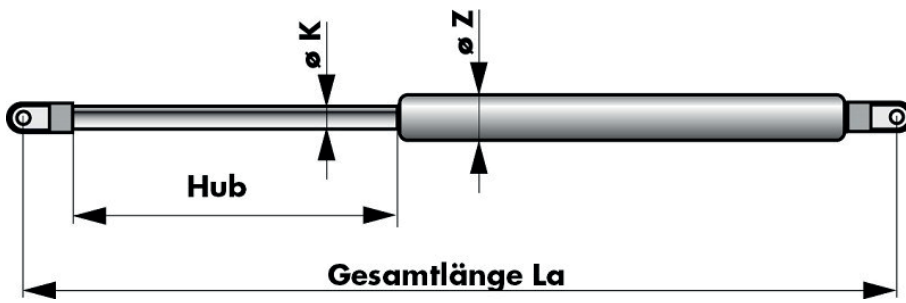


Questionnaire



The following table shows the available standard types.

In order to achieve the optimal function, you should get in contact with our technical advisory service. We do need only few information and dimensions - just fill in our questionnaire. With help of these data we will determine the correct back check, calculate - of course free of charge - the corresponding fixing points and recommend the accessories to be used.



TB Models							
Series 10-23: ø K: 10, ø Z: 23 (mm)					Part no.		
Stroke (mm)	Length (mm)	Opening angle	Stop	Dimensions eyelet (mm)	Steel painted RAL 9006	AISI 304	AISI 316
200	500	95°	no	ø 8	302000-2	302002	302004
200	500	95°	yes	ø 8	302001-2	-	-
200	510	95°	yes	ø 8	-	302003	302005
250	600	120°	no	ø 8	302006-2	302010	302012
250	600	120°	yes	ø 8	302007-2	-	-
250	610	120°	yes	ø 8	-	302011	302013
250	660	120°	no	ø 8	302008-2*	-	-
250	660	120°	yes	ø 8	302009-2*	-	-
Series 14-28: ø K: 14, ø Z: 28 (mm)					Part no.		
Stroke (mm)	Length (mm)	Opening angle	Stop	Dimensions eyelet (mm)	Steel painted RAL 9006	AISI 304	AISI 316
200	500	95°	no	ø 8	302014-2	-	-
200	510	95°	no	ø 8	-	302016	302018
200	510	95°	yes	ø 8	302015-2	302017	302019
250	600	120°	no	ø 8	302020-2	302022	302024
250	610	120°	yes	ø 8	302021-2	302023	302025
300	750	120°	no	ø 8	302026-2	302028	302030
300	750	120°	yes	ø 8	302027-2	302029	302031
400	1000	120°	no	ø 8	302033-2	302035	302037
400	1000	120°	yes	ø 8	302034-2	302036	302038

* Back checks 302008-2 and 302009-2 are longer than the other standard types. They are specifically intended for installation together with a guide rail door closer. Of course we also produce other dimensions if none of the mentioned standard types suits your application. Our technical advisory service will be glad to assist you in choosing and determining the mounting positions.

Use in combination with overhead door closer

- If the back check TB is used in conjunction with a guide rail overhead door closer, care must be taken to ensure that the overall dimension of the TB is slightly longer than the rail.
- In many cases, the standard version of rail door closer is sufficient. But together with an overhead door closers you should always use the brackets designed especially for this purpose, as they place the back check a little lower than usual (see 'Installation Accessories', part no. 205276).

Of course we also produce back checks with other dimensions if none of the standard types suit your application. Our technical advisory service will gladly assist you in choosing and determining the installation position.

STANDARD SETS

You'll find information on our standard sets in the two tables below. They include a back check and the appropriate fixing accessories. For detailed information about the fixing accessories, see 'Installation accessories for back checks'.

Steel painted RAL 9006

ø K	ø Z	Stroke	Length	Accessories set	Part no. without hold-open	Part no. with hold open
10	23	250	600	1	300981-2	300991-2
10	23	250	600	2	300982-2	300992-2
10	23	250	600	3	300983-2	300993-2
14	28	250	600	1	300984-2	-
14	28	250	610	1	-	300994-2
14	28	250	600	2	300985-2	-
14	28	250	610	2	-	300995-2
14	28	250	600	3	300986-2	-
14	28	250	610	3	-	300996-2

Stainless steel

ø K	ø Z	Stroke	Length	Accessories set	Part no. without hold-open	Part no. with hold-open
14	28	250	600	1	300987	-
14	28	250	610	1	-	300998
14	28	250	600	2	300990	-
14	28	250	610	2	-	300997
14	28	250	600	3	301901	-
14	28	250	610	3	-	301902

Every back check can be furnished with the corresponding fixing accessories. For back checks in AISI 316 not all mounting brackets are available. Should you have any questions, just contact us.

Back check TBR series

with adjustable damping force



Video



Website

CHARACTERISTICS

- Dampen doors when opening speed is too fast
- Damping force can be adjusted exactly to the requirements directly on site
- Particularly suitable for high loads or for applications in which the load cannot be determined accurately enough
- Optionally available with integrated mechanical stop
- Can be used together with an overhead door closer

MODELS AND ACCESSORIES

- **Selection criteria:** The TB back checks are available in different versions depending on the door weight, door leaf width and installation situation. The diagram in the section 'selection criteria' provides orientation for selecting the appropriate model
- **Models:** The available standard types are listed in the 'models & dimensions' section
- **Finish:** Cylinder in RAL 9006 satin as standard (see 'Finish' for more colors)
- **Components included:** By default, back checks are always supplied with an eyelet, both on piston rod and cylinder
- **Accessories-sets:** Information on the various accessories-sets can be found under 'Standard-sets'



FINISH

- Standard color cylinder

RAL 9006

White aluminium

- Preferential colors cylinder: inexpensive and fast lead times available for the following colors

RAL 7040

Window grey

RAL 7016

Anthrazite grey

RAL 9005

Jet black

RAL 9007

Grey aluminium

RAL 9016

Traffic white

- Custom colors: other RAL colors are available upon request.

TECHNICAL DATA

Material	Piston rod hard chromed; piston rod AISI 304; piston rod AISI 316; cylinder steel painted RAL 9006 satin (end fittings and fixing accessories zinc-plated); cylinder AISI 304; cylinder AISI 316
Further colors for the cylinder	On demand the cylinder can be supplied also in other RAL-colors. We offer some colors that - compared to other colors - are available for a small additional cost and within a relatively short lead time. These colors are: RAL 7040, 7016, 9005, 9007, 9016 (all satin finish)
Door weight	max. 200 kg, heavier doors upon request
Opening angle	max. 120°, see information at the different types
Additional options	hold-open

INSTALLATION

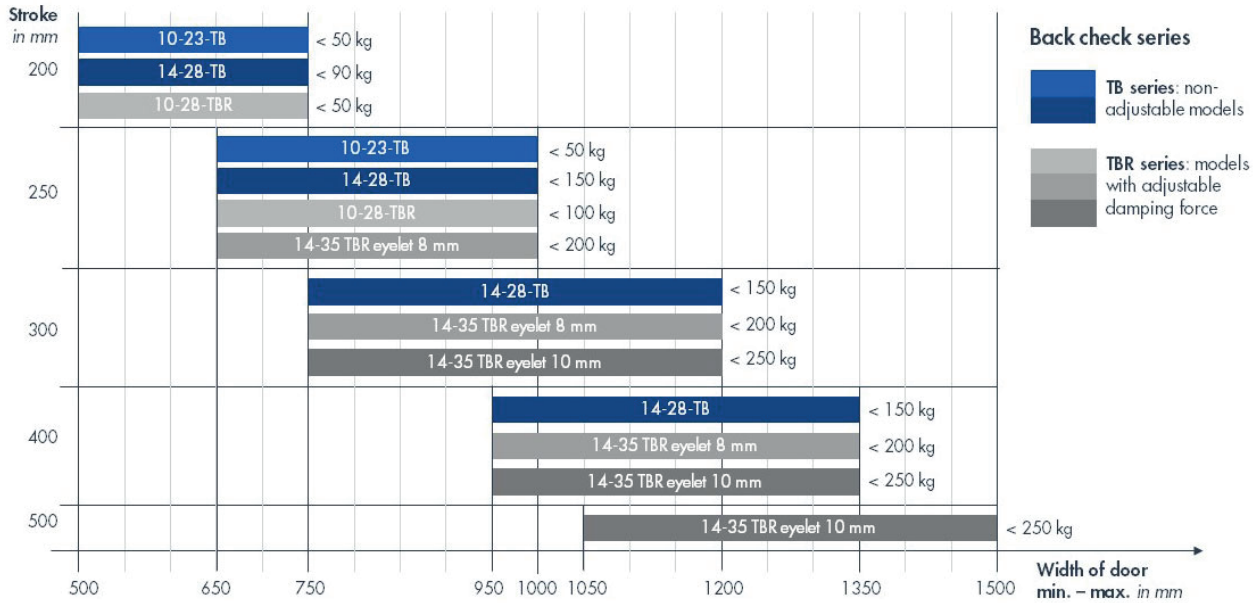


Installation instructions

SELECTION CRITERIA

Back check selection guide

Note: The following diagram serves only as a rough guide. In addition to the door leaf width and weight, in every individual case other factors must be taken into account. Please contact our customer advisory service.

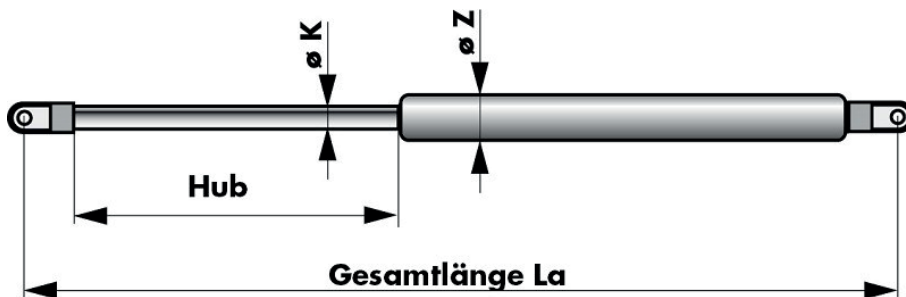


MODELS & DIMENSIONS

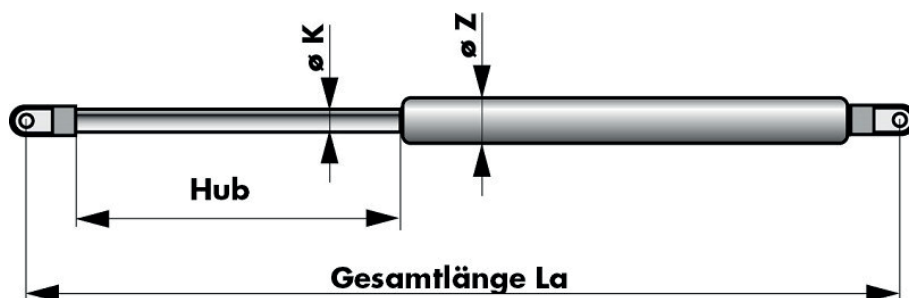
Back checks are essentially defined by the diameter of the piston K, the cylinder Z, the stroke (= Hub) and their total length La (= Gesamtlänge La).



Questionnaire



The following table shows the available standard types. The door weight in the table just is for orientation. It may not be used as only selection criteria. In order to achieve the optimal function, you should get in contact with our technical advisory service. We do need only few information and dimensions – just fill in our questionnaire as far as you can. With this information we will determine the correct back check, calculate – of course free of charge – the corresponding fixing points and recommend the accessories to be used.



Selection criteria							
Series 10-28: ø K: 10; ø Z: 28					Part no.		
Stroke (mm)	Length (mm)	Opening angle	Stop	Eyelet size (mm)	Steel painted RAL 9006	AISI 304	AISI 316
200	550	95°	nein	ø 8	302200-2	302202	302203
250	600	120°	nein	ø 8	302204-2	302205	302206
Series 14-35: ø K: 14; ø Z: 35					Part no.		
Stroke (mm)	Length (mm)	Opening angle	Stop	Eyelet size (mm)	Steel painted RAL 9006	AISI 304	AISI 316
250	650	120°	nein	ø 8	302210-2	302213	302215
250	650	120°	nein	ø 10	302211-2	302214	302216
250	650	120°	ja	ø 8	302212-2	302238	-
300	750	120°	nein	ø 8	302217-2	302220	302222
300	750	120°	nein	ø 10	302218-2	302221	302223
300	750	120°	ja	ø 8	302219-2	302239	-
400	950	120°	nein	ø 8	302224-2	302230	302232
400	950	120°	nein	ø 10	302225-2	302231	302233
400	950	120°	ja	ø 8	302226-2	-	-
400	950	120°	ja	ø 10	302227-2	-	-
500	1150	120°	nein	ø 10	302234-2	-	-
500	1150	120°	ja	ø 10	302235-2	-	-

Of course we also produce back checks with other dimensions if none of the standard types suit your application. Our technical advisory service will gladly assist you in choosing and determining the mounting positions.

STANDARD SETS

Steel painted RAL 9006

ø K (mm)	ø Z (mm)	Hub (mm)	Length (mm)	Accessories set	Part no. without hold-open	Part no. with hold-open
10	28	250	600	1	300975-2	-
10	28	250	600	2	300976-2	-
10	28	250	600	3	300977-2	-

Stainless steel

ø K (mm)	ø Z (mm)	Stroke (mm)	Length (mm)	Accessories set	Part no. without hold-open	Part no. with hold-open
10	28	250	600	1	300999	-
10	28	250	600	2	300980	-
10	28	250	600	3	301903	-

These two tables show an overview about the available sets. Each consists of a back check with the appropriate fixing accessories. For detailed information about the fixing accessories, please see Installation accessories. The dimensions of the fixing eyelets can also be found there.

Of course any back check can be furnished with the corresponding fixing accessories. For the back checks in AISI 316 not all mounting brackets are available. Should you have any questions, please, contact us.

Installation accessories for back checks



Website

Sets & installation accessories

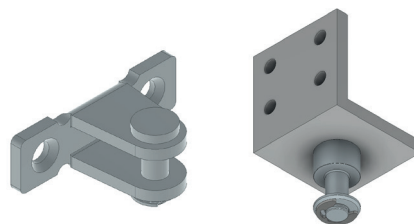
- **Sets:** For the 10-23, 14-28 and 10-28 series with 8 mm eyelet, there are three different standard fixing sets that can be used to cover many different installation situations.
- **Accessories:** For extremely wind-sensitive or large doors, DICTATOR additionally offers a large number of mounting brackets and plates besides the fixing sets. The dimension drawings of all available accessories can be found from page 02.04.14 onwards.
- **Mounting pins:** Some of the mounting brackets and plates have a fixed bolt, others can be used with either 8 or 10 mm bolts (in the 14-35 series, for very heavy loads, there is a version whose 14-35-1 eyelet has a diameter of 10 mm). The bolts are ordered additionally to the fixing accessories, depending on the back check used.
- **Doors with overhead door closer:** If the back check is used together with an overhead door closer, special brackets are required in most cases. See section 'Doors with overhead door closer' on page 02.04.18 for an overview of the most common installation situations and the recommended accessories.



STANDARD SETS

- Can be used for back checks of the 10-23, 10-28 and 14-28 series.
- The fixing sets are supplied zinc-plated for painted back checks and in AISI 304 for back checks in AISI 304. Some of the single accessories are also available in AISI 316. The order information can be found in the section 'Accessories'.

Set 1



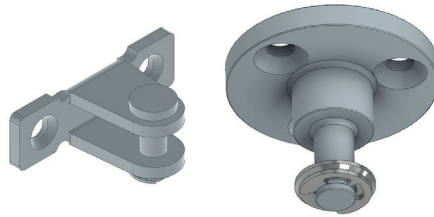
Components:

- Bracket TB 40x40x40, mounting pin \varnothing 8 mm (Dimensions on section 'Accessories')
- Mounting bracket (Dimensions on section 'Accessories')

Application areas:

e.g. on the push side of outward opening doors. Depending on the installation situation, the bracket can be replaced by order no. 205489 and 205511 (Dimensions on section 'Accessories').

Set 2

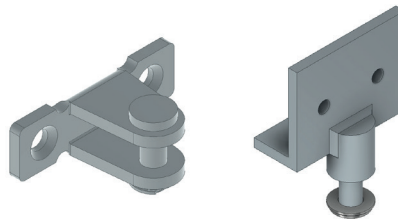
**Components:**

- Mounting flange TB Ø 42 mm, mounting pin 8 mm (Dimensions on section 'Accessories')
- Mounting bracket (Dimensions on section 'Accessories')

Application areas:

Mounting under the lintel, as long as there is enough space for attaching the retaining flange

Set 3

**Components:**

- Bracket TB 50 x 40 x 20 mm, mounting pin 8 mm (Dimensions on section 'Accessories')
- Mounting bracket (Dimensions on section 'Accessories')

Application areas:

Pull side of overlapping doors with narrow rebate, or push side with narrow frames.

ACCESSORIES

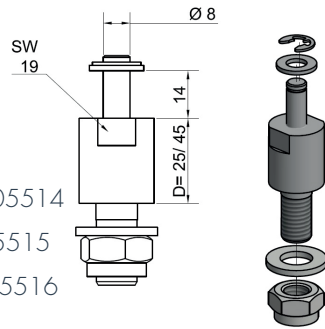
All dimensions in mm

Accessories for mounting pin Ø 8 mm

Mounting pin TB Ø 8 mm

Distance D = 25 mm

- Zinc-plated: part no. 205511
- AISI 304: part no. 205512
- AISI 316 : part no. 205513

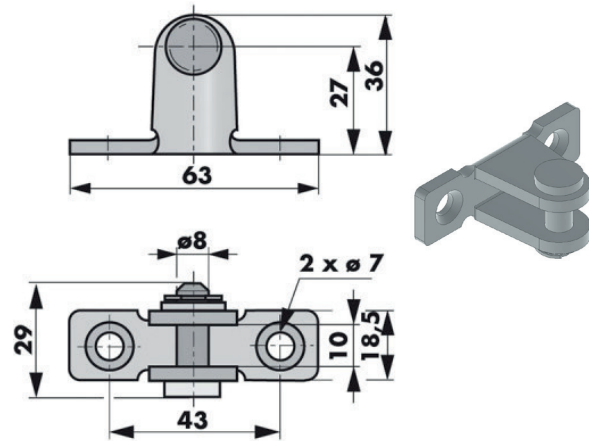


Distance D = 45 mm

- Zinc-plated: part no. 205514
- AISI 304: part no. 205515
- AISI 316 : part no. 205516

Mounting bracket (part of sets 1, 2 & 3)

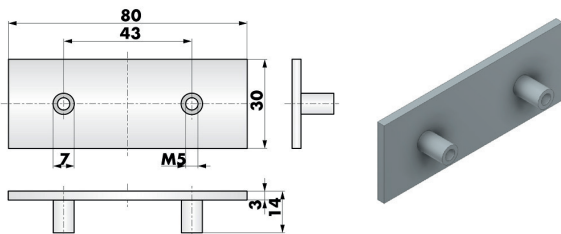
- Zinc-plated: part no. 205197
- AISI 304: part no. 205249
- AISI 316: part no. 205455



Counter plate to bracket no. 205197

The counter plate is used when fixing the mounting bracket on thin-walled steel doors.

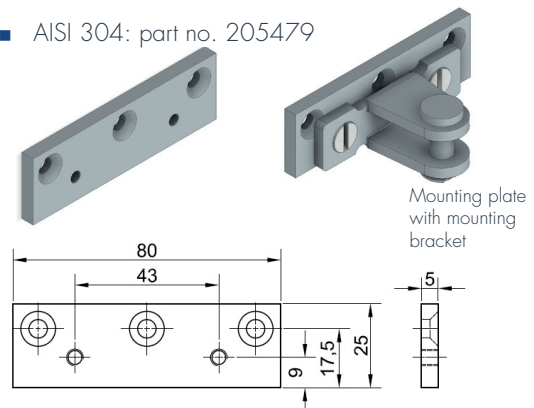
- AISI 304: part no. 205468



Mounting plate TB 80x25 mm, 2 threaded holes M5

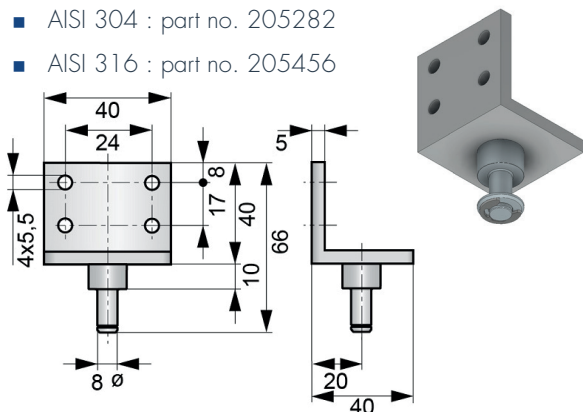
The mounting plate is intended for fixing the mounting bracket no. 205197 on e.g. glass doors with an aluminium frame

- AISI 304: part no. 205479



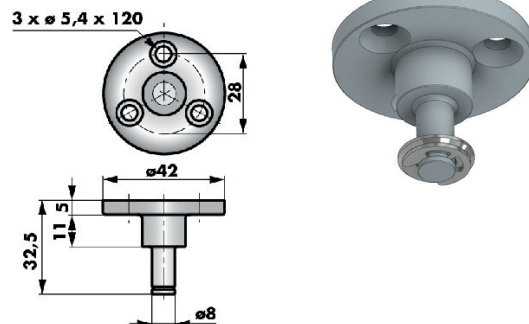
Bracket TB 40x40x40 mm, mounting pin Ø 8 mm (part of set 1)

- Zinc-plated: part no. 205262
- AISI 304 : part no. 205282
- AISI 316 : part no. 205456



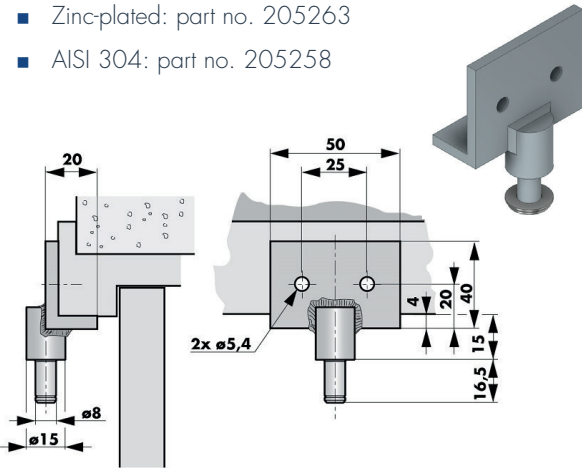
Mounting flange TB Ø 42 mm, mounting pin Ø 8 mm (part of set 2)

- Zinc-plated: part no. 205261
- AISI 304: part no. 205281



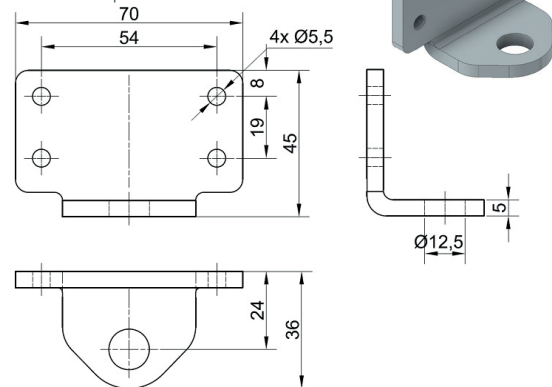
Bracket TB 50x40x20 mm, mounting pin Ø 8 mm (part of set 3)

- Zinc-plated: part no. 205263
- AISI 304: part no. 205258



Bracket TB 70x45x36 mm (without mounting pin)

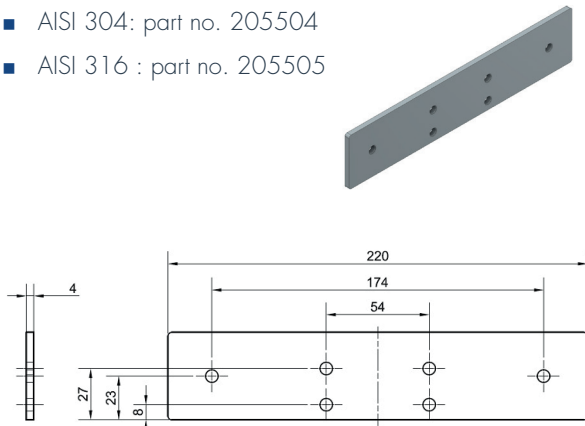
- Zinc-plated: part no. 205489
- AISI 304: part no. 205490
- AISI 316 : part no. 205491



Mounting plate TB 220x46 mm

The mounting plate is used together with the mounting bracket TB 70x45x36 mm, when high forces apply.

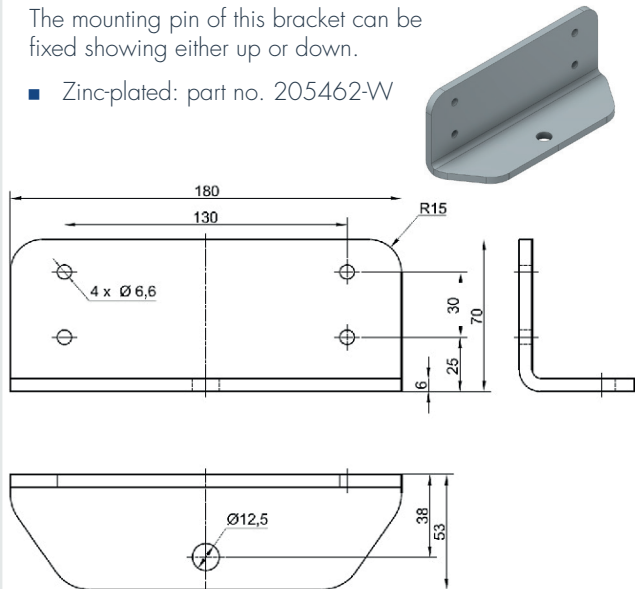
- Zinc-plated: part no. 205503
- AISI 304: part no. 205504
- AISI 316 : part no. 205505



Bracket TB 180x70x53 mm (without mounting pin)

The mounting pin of this bracket can be fixed showing either up or down.

- Zinc-plated: part no. 205462-W

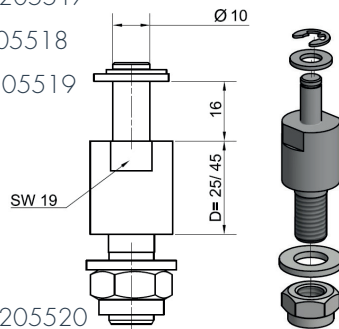


Accessories for mounting pin Ø 10 mm

Mounting pin TB Ø 10 mm

Distance D = 25 mm

- Zinc-plated: part no. 205517
- AISI 304: part no. 205518
- AISI 316 : part no. 205519



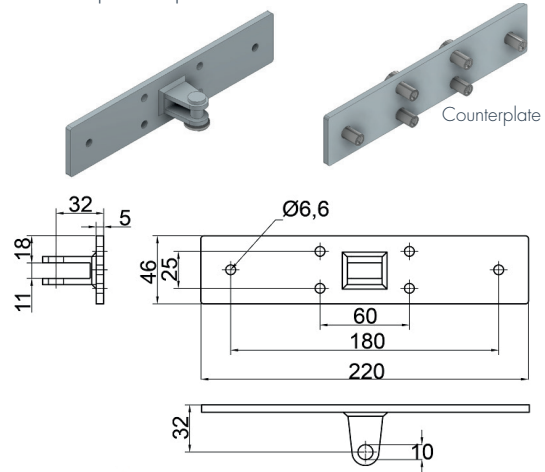
Distance D = 45 mm

- Zinc-plated: part no. 205520
- AISI 304: part no. 205521
- AISI 316 : part no. 205522

Mounting Plate TB 45x220 mm

The counter plate, part no. 205461, has the same dimensions and features 6 threaded inserts M6.

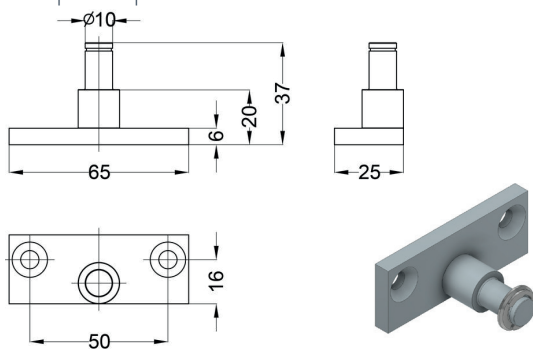
- Zinc-plated: part no. 205460



Mounting flange TB 65x25 mm, mounting pin Ø 10 mm

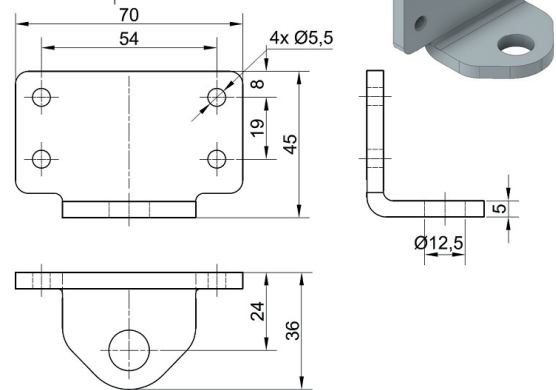
The mounting flange is intended for narrow door frames. The holes have Ø 6 mm with a countersink for ISO 7721 countersunk head screws.

- Zinc-plated: part no. 205469



Bracket TB 70x45x36 mm (without mounting pin)

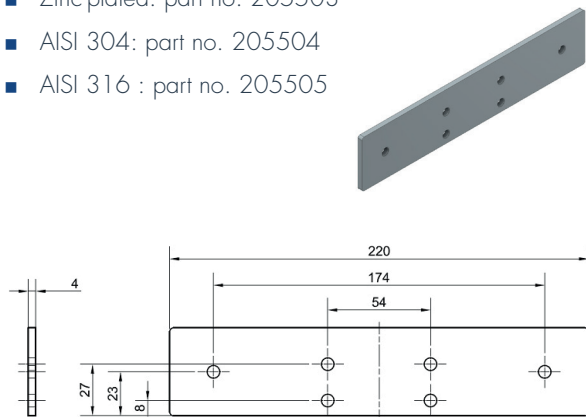
- Zinc-plated: part no. 205489
- AISI 304: part no. 205490
- AISI 316 : part no. 205491



Mounting plate TB 220x46 mm

The mounting plate is used together with the mounting bracket TB 70x45x36 mm, when high forces apply.

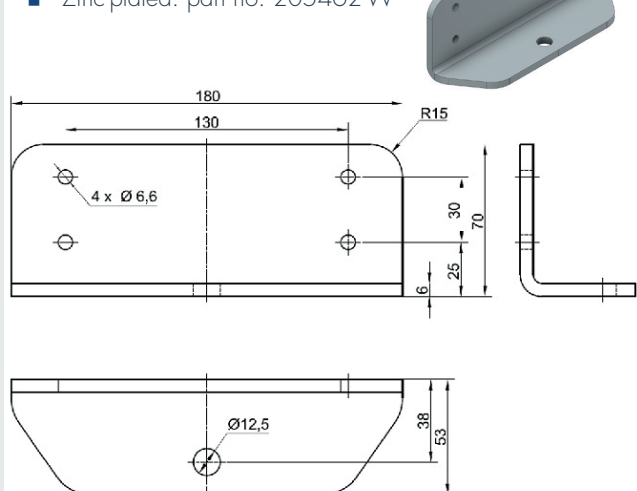
- Zinc-plated: part no. 205503
- AISI 304: part no. 205504
- AISI 316 : part no. 205505



Bracket TB 180x70x53 mm (without mounting pin)

The mounting pin of this bracket can be fixed showing either up or down.

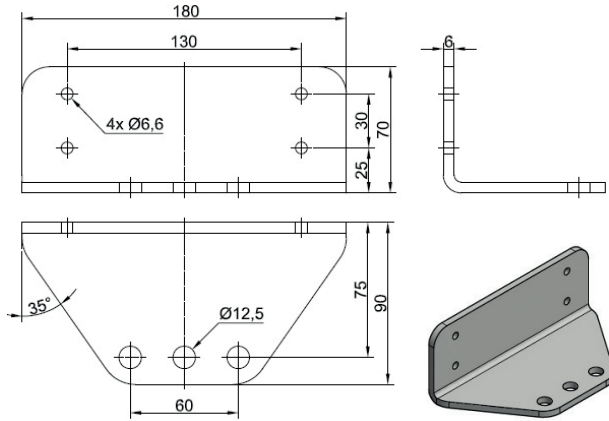
- Zinc-plated: part no. 205462-W



Accessories for doors with overhead door closer

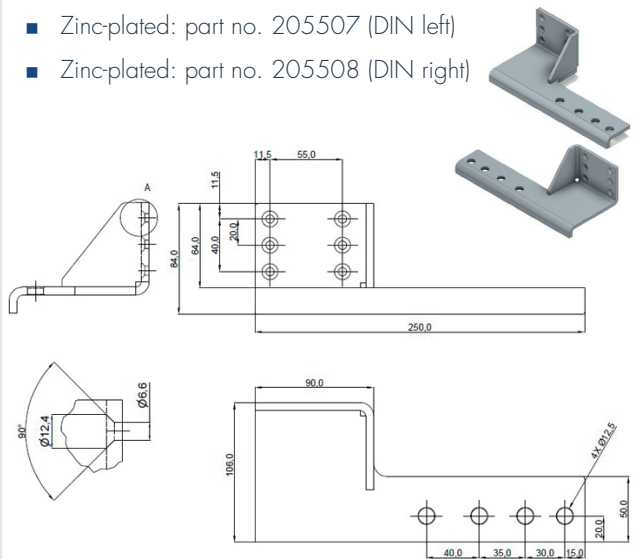
Bracket TB-OTS 180x70x90 mm (without mounting pin)

- Zinc-plated: part no. 205476



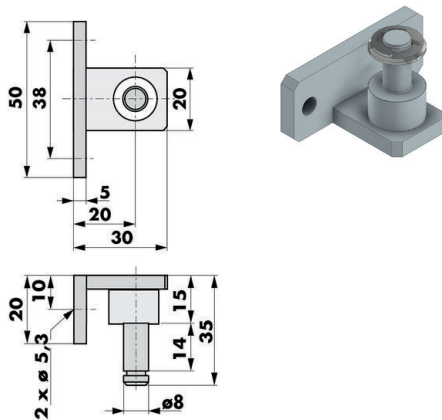
Bracket TB-OTS 250x106x90x84 mm (without mounting pin)

- Zinc-plated: part no. 205507 (DIN left)
- Zinc-plated: part no. 205508 (DIN right)



Bracket TB-OTS 50x20x30 mm, mounting pin Ø 8 mm

- Zinc-plated: part no. 205276



When selecting this bracket, please note that the specified DIN direction applies to installation on push side.

INSTALLATION POSITIONS WITH OVERHEAD DOOR CLOSER

Back checks can also be used together with an overhead door closer without any problems. This applies both to door closers with arm and to those with a slide rail. However, special brackets are sometimes necessary for this purpose. Here you will find an overview of the usual installation situations and the recommended fixing accessories. However, solutions for different applications can usually be found without any problems. The dimensions of the accessories for installation in conjunction with overhead door closers can be found on the previous page.

Note: In addition to the zinc-plated version, some of the mounting accessories are also available in AISI 304 or AISI 316 (see dimensions on section 'Accessories').

With overhead door closer, installed on the door frame



Outward opening door (view from inside)

Back check with Ø 8 mm eyelet

Accessories:

- 205197 (optional with counter-plate 205468) (zinc-plated)
- 205489 + mounting pin 205514 (zinc-plated)



Outward opening door (view from inside)

Back check with Ø 10 mm eyelet

Accessories:

- 205460 (optional with counter-plate 205461) (zinc-plated)
- 205462-W + mounting pin 205520 (zinc-plated)

With overhead door closer, installed on the door leaf



Outward opening door (view from inside)

Back check with Ø 8 mm eyelet

Accessories:

- 205508 (oder 205507) + mounting pin 205514 (zinc-plated)
- 205489 + mounting pin 205511 (zinc-plated)

Back check with Ø 10 mm eyelet

Accessories:

- 205508 (or 205507) + mounting pin 205520 (zinc-plated)
- 205489 + mounting pin 205517 (zinc-plated)

Sliding rail overhead door closer with door closing selector, installed on door leaf



Outward opening, double-leaf door (view from inside)

Back check with Ø 8 mm eyelet

Accessories:

- 205508 & 205507 + mounting pin 205514 (zinc-plated)
- 205476 + mounting pin 205514 (zinc-plated)

Back check with Ø 10 mm eyelet

Accessories:

- 205508 & 205507 + mounting pin 205520 (zinc-plated)
- 205476 + mounting pin 205520 (zinc-plated)

ORDER INFORMATION

Model	Part no.		
	zinc-plated	AISI 304	AISI 316
Mounting bracket	205197	205249	205455
Counter plate with threaded inserts for mounting bracket 205197	-	205468	-
Mounting plate TB with 2 threaded holes M5 for mounting bracket 205197	-	205479	-
Mounting flange TB Ø 42, pin Ø 8 mm	205261	205281	-
Mounting bracket TB 40x40x40 mm, pin Ø 8 mm	205262	205282	205456
Mounting bracket TB 50x40x20 mm, pin Ø 8 mm	205263	205258	-
Mounting bracket TB 70x45x36 mm, for mounting pin Ø 8 or 10 mm	205489	205490	205491
Mounting bracket TB 180x70x53 mm, for mounting pin Ø 8 or 10 mm	205462-W	-	-
Mounting plate TB 220x46 mm	205503	205504	205505
Mounting pin TB 25-14 mm, Ø 8 mm	205511	205512	205513
Mounting pin TB 45-14 mm, Ø 8 mm	205514	205515	205516
Mounting pin TB 25-16 mm, Ø 10 mm	205517	205518	205519
Mounting pin TB 45-16 mm, Ø 10 mm	205520	205521	205522
Mounting plate TB 45x220 mm, seat with pin Ø 10 mm	205460	-	-
Counter plate for mounting plate TB 45x220 mm, with threaded inserts	205461	-	-
Mounting flange TB 65x25 mm, pin Ø 10 mm	205469	-	-
Mounting bracket TB-OTS 50x20x30 mm, pin Ø 8 mm	205276	-	-
Mounting bracket TB-OTS 180x70x90 mm for pin Ø 8 or 10 mm	205476	-	-
Mounting bracket TB-OTS 250x106x90x84 mm, for pin Ø 8 or 10 mm, DIN left, mounted on non swing side	205507	-	-
Mounting bracket TB-OTS 250x106x90x84 mm, for pin Ø 8 or 10 mm, DIN right, mounted on non-swing side	205508	-	-