

Spring rope pulley diameter series 177

For closing sliding doors - for courses of up to 4 m



Website

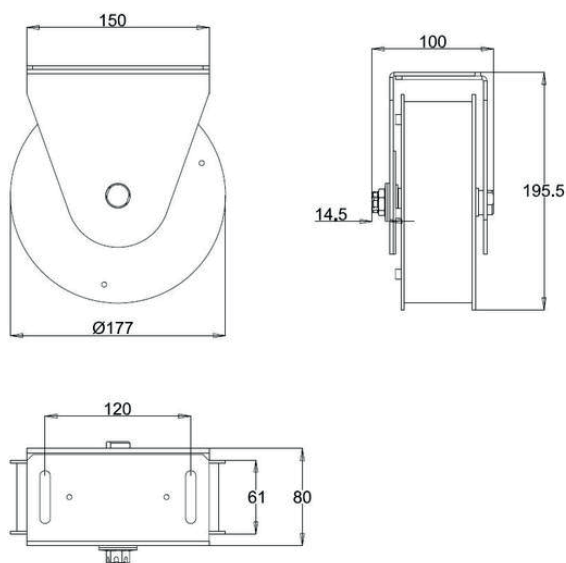
CHARACTERISTICS

- Used for longer travels
- The maximum travel distance is 4 m
- The maximum closing force 100 N
- This model is always supplied with sliding hub and bracket which makes mounting and adjusting very simple
- The standard version of this diameter series is fabricated with a plastic rope but, on demand, it is also possible to furnish it with a steel rope



DIMENSIONS

All dimensions in mm



TECHNICAL DATA

Closing force	100 N
Material	casing zinc-plated sheet steel; bracket zinc-plated sheet steel
Rope	plastic rope (without fire protection properties), approx. Ø 3 mm, with cable eye stiffener Ø 9 mm

INSTALLATION



Installation instructions

ORDER INFORMATION

Description	Part no.
Spring rope pulley Ø 177, 100 N with sliding hub, bracket zinc-plated	070066