

# Spring rope pulley diameter series 118

For closing sliding doors



Website

## CHARACTERISTICS

- Simple, efficient and cost-effective closing device for sliding doors
- During the opening of the door the internal spring is tensioned and then automatically pulls the sliding door closed
- Available with different forces: 25 N, 50 N, 80 N or 100 N (only as double spring rope pulley)
- Closing force can be adjusted by pretensioning the spring
- Thanks to its material and the absolutely accurate fitting of the hub, the spring rope pulley also works very silently, without any annoying noise.

As components of the sliding door closer DICTAMAT 50 the spring rope pulleys with 25 and 50 N have also been approved for use on smoke and fire doors.

The closing speed, however, is not controlled when using just a spring rope pulley for closing. If for safety or functional reasons a controlled closing speed is required, we recommend to use the DICTAMAT 50 sliding door closer. It incorporates the spring rope pulley as closing device.

## MODELS

Depending on how it's installed and the desired comfort of use, there are two spring rope pulleys available:

- **Spring rope pulley with inner square:** for mounting on an 8 mm square bolt or with a M8 square necked mushroom head bolt
- **Spring rope pulley with sliding hub and bracket:** Generally this model should be used. The tensioning screw together with the sliding hub allows to easily adjust the closing force and adapt it to the requirements. The double spring rope pulley always has a sliding hub.

For the double spring rope pulley 2 spring rope pulleys with the same force (2 x 25 N or 2 x 50 N) are coupled, thus providing the double force. The double spring rope pulleys are always used when with the same force a longer travel is needed than the single spring rope pulleys provide.



## TECHNICAL DATA

Closing force	25 N; 50 N; 80 N
Material	casing DOMAMID plastics; Kevlar rope with polyester coating

## COMPARISON OF THE MAX. WORKING TRAVEL

- Spring rope pulley 25 N: 1.80 m
- Spring rope pulley 50 N: 1.50 m
- Double spring rope pulley 50 N (2 x 25 N): 1.80 m
- Spring rope pulley 80 N: 1.00 m
- Double spring rope pulley 100 N (2 x 50 N): 1.50 m

## INSTALLATION

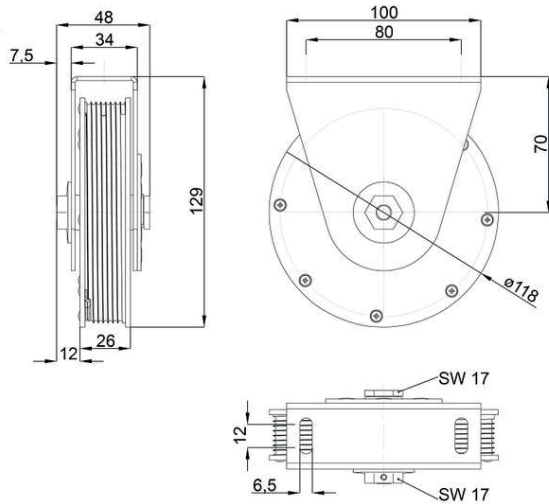


Installation instructions

**DIMENSIONS**

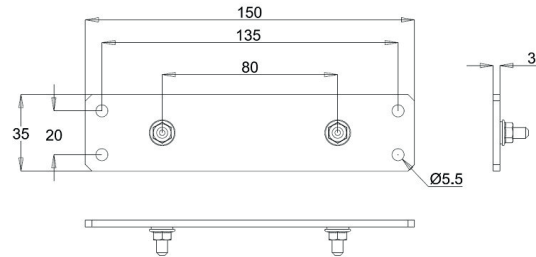
All dimensions in mm

**Spring rope pulley with sliding hub and bracket**



**Mounting plate for spring rope pulley with sliding hub**

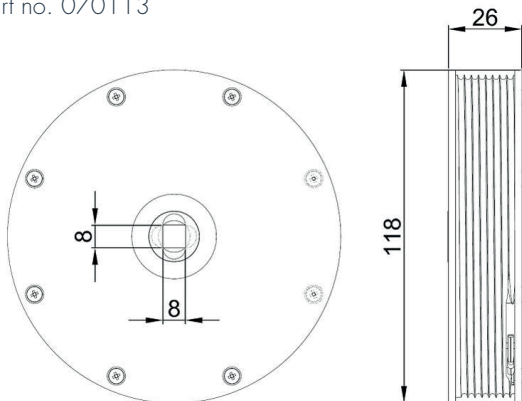
Part no. 070114



If the spring rope pulley has to be fixed to the wall or ceiling, we recommend to use this mounting plate. You simply have to fit the spring rope pulley to the headless pins of the mounting plate and then screw the mounting plate to the wall/ceiling.

**Spring rope pulley with inner square**

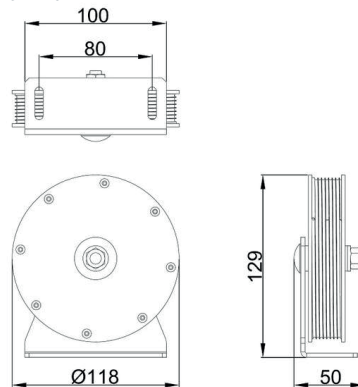
Part no. 070113



The inner square of the spring rope pulley is end-to-end. In fact the entry on both sides is staggered by exactly 90° and thus procures a safe seat for a square bolt provided on site or the square bolt of the mounting bracket.

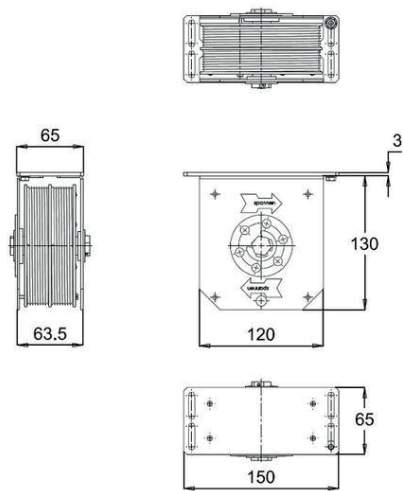
**Spring rope pulley with mounting bracket**

Part no. 070113

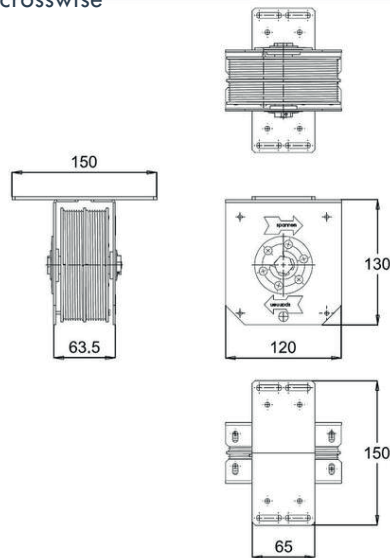


The mounting bracket makes mounting of the spring rope pulley much easier, if there is no square bolt provided on site. If required, the mounting bracket has to be ordered in addition to the spring rope pulley.

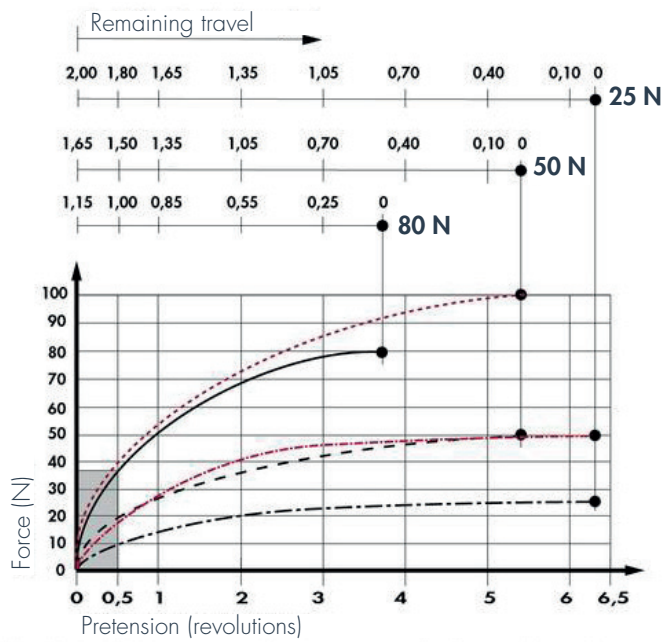
Double spring rope pulley, mounting plate fixed lengthwise



Double spring rope pulley, mounting plate fixed crosswise



**CLOSING FORCE / TRAVEL**



The curves and force specifications marked in red apply to the double spring rope pulleys.

**ORDER INFORMATION**

Description	Part no.
Spring rope pulley 25 N with 2 m plastic rope, plastic casing with guide grooves, for through square 8 x 8 x 26 mm	070110
Spring rope pulley 50 N with 2 m plastic rope, plastic casing with guide grooves, for through square 8 x 8 x 26 mm	070111
Spring rope pulley 80 N with 2 m plastic rope, plastic casing with guide grooves, for through square 8 x 8 x 26 mm	070112
Spring rope pulley 25 N with 2 m plastic rope, plastic casing with guide grooves, with sliding hub, bracket zinc-plated	070102
Spring rope pulley 50 N with 2 m plastic rope, plastic casing with guide grooves, with sliding hub, bracket zinc-plated	070093
Spring rope pulley 80 N with 2 m plastic rope, plastic casing with guide grooves, with sliding hub, bracket zinc-plated	070094
Spring rope pulley 25 N with 2 m plastic rope, plastic casing with guide grooves, with sliding hub, bracket AISI 304	070103
Spring rope pulley 50 N with 2 m plastic rope, plastic casing with guide grooves, with sliding hub, bracket AISI 304	070098
Spring rope pulley 80 N with 2 m plastic rope, plastic casing with guide grooves, with sliding hub, bracket AISI 304	070099
Twin spring rope pulley 50 N with 2 m plastic rope (max. spring travel 1.8 m), plastic casing with guide grooves, with sliding hub, zinc-plated bracket with mounting plate	070104
Twin spring rope pulley 100 N with 2 m plastic rope (max. spring travel 1.5 m), plastic casing with guide grooves, with sliding hub, zinc-plated bracket with mounting plate	070105

**ACCESSORIES**

Description	Part no.
Mounting bracket for spring rope pulley with through square, zinc-plated, with cup square screw and washers	070113
Mounting plate for spring rope pulleys with sliding hub (25/50/80 N), zinc-plated, 150 x 35 x 3 mm	070114