

DICTAMAT 50 KP or KW - compact unit

The compact sliding door closer



Website

CHARACTERISTICS

- All components are pre-assembled in a compact, easy-to-install unit on a mounting plate or bracket
- Available in two models:
 - **DICTAMAT 50 KP:** with mounting plate, for mounting below the rail
 - **DICTAMAT 50 KW:** with mounting bracket, for mounting above the rail
- For areas with instructed users, as manual interference in the closing process may result in slack rope formation
- The pull rope of the spring rope pulley is guided directly over the pulley of the radial damper to the door, i.e. the control of the closing speed takes place directly at the pull rope of the spring rope pulley
- When choosing, it should be noted that there are different versions for right- and left-closing doors for the KP

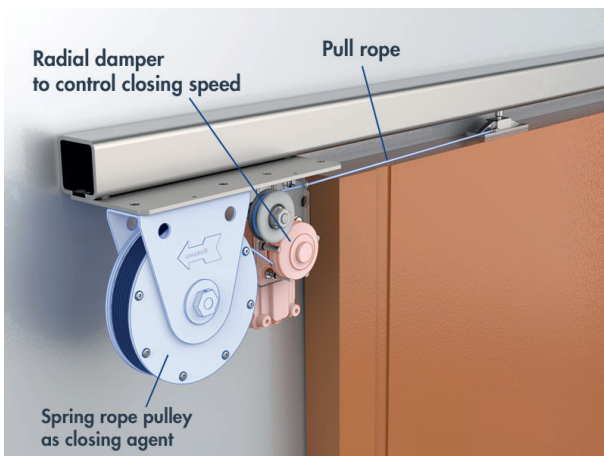


Technical manual KP



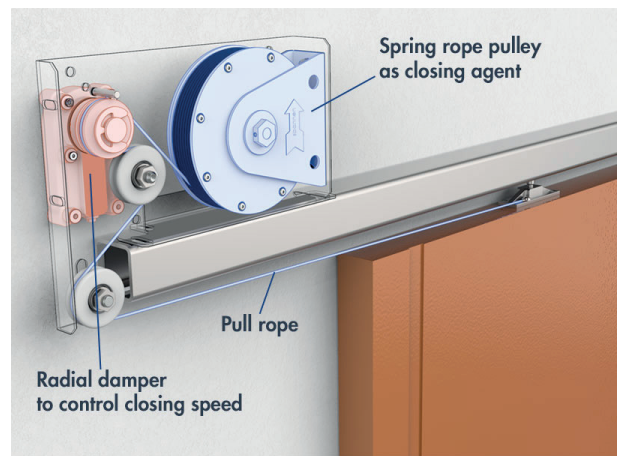
Technical manual KW

FUNCTIONING PRINCIPLE DICTAMAT 50 KP



Blue: closing function | **Orange:** damping

FUNCTIONING PRINCIPLE DICTAMAT 50 KW



Blue: closing function | **Orange:** damping

MATERIAL

LD	casing flame retardant DOMAMID plastics, rope pulley aluminium with Vulkollan insert
Plastic rope	flame retardant Kevlar rope with polyester coat, approx. Ø 2 mm, with cable eye stiffener
Brackets	zinc-plated sheet steel, alternatively AISI 304 or AISI 316
Idler pulleys	polyamide

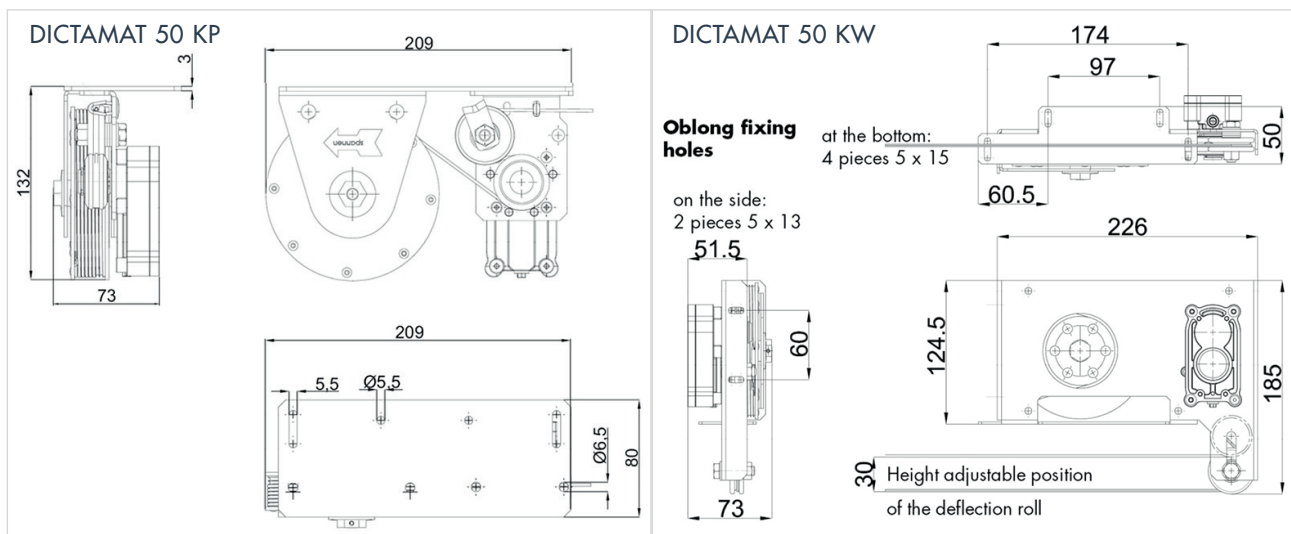
DICTAMAT 50 KP

- Designed for installation underneath the rail.
- The pull rope of the spring rope pulley is guided via the radial damper and an additional guiding pulley directly to the door.
- When choosing this model, please take into consideration that you need a different version depending on whether the door closes to the left or the right.

COMPONENTS INCLUDED

- Carrier plate with spring rope pulley
- 2 m of plastic rope
- Pressure roll
- Rope coming-off prevention
- Radial damper with rope pulley
- Accessories: Different covers on demand

DIMENSIONS



ORDER INFORMATION

Description	Part no.
DICTAMAT 50 KP, 50 N, left, compact closing device for sliding doors, with mounting plate & simple pulling cable	700082
DICTAMAT 50 KP, 50 N, left, compact closing device for sliding doors with fixing plate and simple pulling cable, non rusting, for doors closing to the left	700087
DICTAMAT 50 KP, 50 N, right, compact closing device for sliding doors, with mounting plate & simple pulling cable	700093
DICTAMAT 50 KP, 50 N, right, compact closing device for sliding doors with fixing plate and simple pulling cable, non rusting, for doors closing to the right	700094
DICTAMAT 50 KW, 50 N, compact closing device for sliding doors, with mounting plate & simple pulling cable	700083
DICTAMAT 50 KW, 50 N, compact closing device for sliding doors with angular bracket and simple pulling cable, non-rusting	700088