

DICTAMAT 50 BK - modular system

The flexible modular system



Video



Website

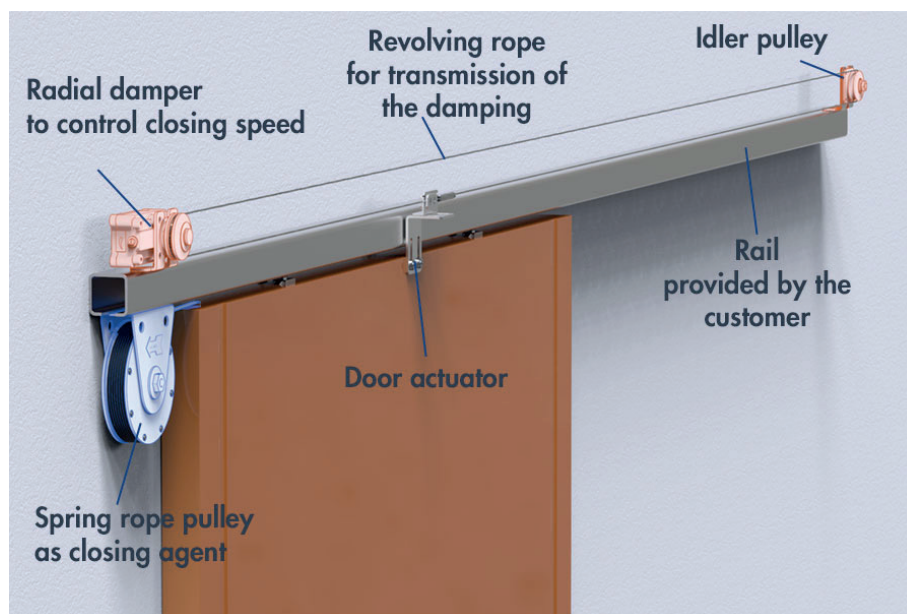
CHARACTERISTICS

- Ideal solution for doors with high frequency of use, different users, such as in trains, ships, etc.
- The transmission of the closing force as well as the control of the closing speed is continuously effected by means of a revolving steel cable
- The modular system features absolutely reliable function, even under demanding operating conditions
- Due to its modular structure, it is also perfectly suited for places where there isn't much space available, as all its components can be mounted in a flexible way.
- Due to its modular design, ideal if there's only limited space available, as the individual components are flexible in their installation
- Also for double-leaf sliding doors with synchronized leaves
- Available in ready-made sets or with components put together individually
- Models available in stainless materials
- Successful tests in compliance with relevant fire protection standards allow inclusion in approvals of sliding fire doors



Technical manual

STRUCTURE



The components of the DICTAMAT 50 BK can be combined at will. For the most common applications standard kits have been prepared. When they cannot be used, the components can be combined individually. Depending on the available space, the components of the modular system can be mounted in different positions. For designers there are nearly no limits to develop own object specific solutions. Of course, DICTATOR will be happy to assist you in realizing your ideas.

COMPONENTS

	Standard sets	Options for special solutions
Closing device	spring rope pulley with sliding hub, diameter series 118 mm, force depending on model 25 N, 50 N or 80 N	double spring rope pulley diameter series 118 mm spring rope pulley diameter series 177 mm counter weight provided on site
Control of closing speed	lamellar radial damper LD 50	lamellar radial damper LD 50 with special oil lamellar radial damper LD 100
Damping transmission	revolving rope Ø 2 mm	other rope or toothed belt types
Idler pulley	for rope	special type according to damping transmission
Door actuator	for rope	special type according to damping transmission
Door actuator for second door leaf	-	has to be ordered separately

STANDARD SETS

The different standard sets of the DICTAMAT 50 BK modular system are suitable for most sliding doors. The main difference between them is the closing force of the spring rope pulley. The standard sets are come with a LD radial damper corresponding to the closing force of the spring rope pulley.

MATERIAL COMPONENTS

Component	Material
LD 50 Radial Damper	casing flame retardant DOM-AMID plastics, rope pulley aluminum with Vulkollan insert
Revolving steel rope	steel / AISI 304 or AISI 316
Brackets	zinc-plated sheet steel, alternatively AISI 304 or AISI 316
Idler pulley	polyamide

COMPONENTS INCLUDED

- Spring rope pulley with bracket and plastics rope
- LD 50 radial damper with rope pulley and mounting bracket set for horizontal or vertical mounting
- Idler pulley for rope with rope coming-off prevention and mounting bracket set
- 8 m steel rope Ø 2 mm (revolving rope)
- Door actuator with rope tensioner

Accessories:

- Door actuator for second door leaf with additional compensation spring and rope clamp
- Adapter plates and brackets for LD 50 radial damper and idler pulley

DIMENSIONS COMPONENTS

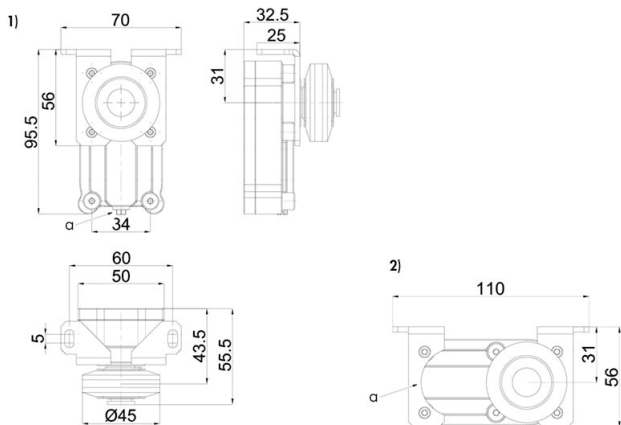
All dimensions in mm

Dimensions LD 50 radial damper with rope pulley

Radial damper with rope pulley and mounting brackets

Part no. 244040 (or 244042 for the stainless version) For DICTAMAT 50 BK-S with 50 N and 80 N (if required, also with different oil filling for very smooth-running doors)

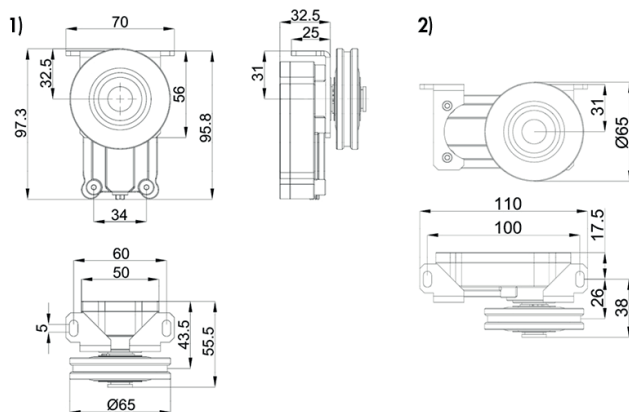
- 1) Vertical Mounting
- 2) Horizontal Mounting
- a) Adjusting screw



Radial damper with rope pulley and mounting brackets

Part no. 244061 (or 244062 for the stainless version) For DICTAMAT 50 BK with 25 N (if required, also with different oil filling for very smooth-running doors.)

- 1) Vertical mounting
- 2) Horizontal mounting



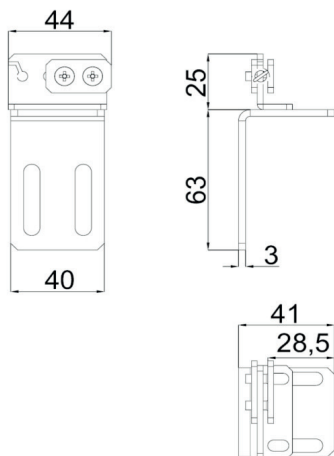
Spring rope pulley dimensions

For more details see section "Spring rope pulleys"

Dimensions of other components

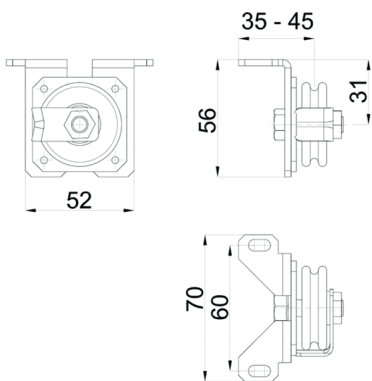
Door actuator with rope tensioner

Part no. 700071



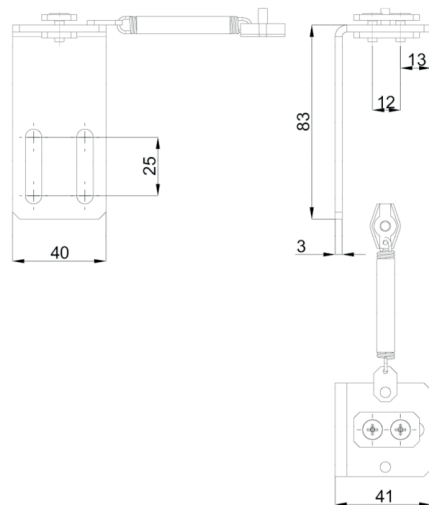
Idler pulley with mounting bracket

Part no. 700070



Door actuator for 2nd door leaf

Part no. 700090



ORDER INFORMATION

Description	Part no.
DICTAMAT 50 BK, 25 N	700054
DICTAMAT 50 BK, 50 N	700080
DICTAMAT 50 BK, 80 N	700081
DICTAMAT 50 BK, 25 N, rustless	700055
DICTAMAT 50 BK, 50 N, rustless	700085
DICTAMAT 50 BK, 80 N, rustless	700086
Accessories	
Door actuator rope for second door leaf, zinc-plated, with compensation spring and rope clip	700090
Door actuator rope for second door leaf, AISI 304 with compensation spring and rope clip	700091
Mounting plate spring rope pulley, zinc-plated	070114
Adaptor plate mounting LD 50, 75 x 80 mm, zinc-plated	244050
Adaptor bracket mounting LD 50, 70 x 25 x 40 mm, zinc-plated	244051
Adaptor plate mounting LD 50, 75 x 80 mm, AISI 304	244052
Adaptor bracket mounting LD 50, 70 x 25 x 40 mm, AISI 304	244053