

Floor spring WAB 180

For heavy doors up to 600 kg



Website

CHARACTERISTICS

- For decades, consistently proven to be highly reliable, especially on heavy entrance doors e.g. churches, museums, public buildings, etc.
- Special axle bearings in the oil chamber allow its use on very heavy doors up to 600 kg
- High load capacity and long operational life
- Closing speed can be continuously adjusted
- A safety valve prevents vital parts of the floor spring from breaking, even when the door is forced shut
- All floor springs come with an embedding box
- Different cover plates, pivot hinges and straps, either for steel or wooden doors available as accessories
- Also available as a mere floor support for heavy doors where the closing function is not needed



SELECTION CRITERIA

The WAB 180 floor spring is available in five different models. Please indicate the dimensions and the approximate weight of the door and the opening direction according to DIN when ordering.

The following table will help you to choose the correct size for your application. All data refer to a door height of minimum 1.75 m and maximum 2.5 m, without wind load. In case of exterior doors exposed to wind or interior doors in surroundings with high pressure differences, please contact our technical customer service.

Door weight / kg	Door width / m*	Size of floor spring
100 - 200	max. 1.15	II
	max. 1.40	III
200 - 300	max. 1.15	III
	max. 1.40	IV
300 - 400	max. 1.15	IV
	max. 1.40	V
400 - 500	max. 1.40	V
	max. 1.55	VI
500 - 600	max. 1.55	VI

* In case of differing door widths or doors exposed to wind or pressure difference, please contact us.

TECHNICAL DATA

Door weight	max. 600 kg
Door types	steel doors, wooden doors (single-action)
Closing function	starting at about 160° (door may be opened up to 180°)
Speed (standard)	continuously adjustable damping from 45° of closing angle
Closing torques	depending on the spring force 20 - 45 Nm
Hold-open	without hold-open
Material housing	aluminium
Accessories	cover plates, straps, pivot hinges, push lever

INSTALLATION

Usually the floor spring is installed parallel to the door but shifted sideways. It can also be mounted with the axle directly below the door.



Installation instructions

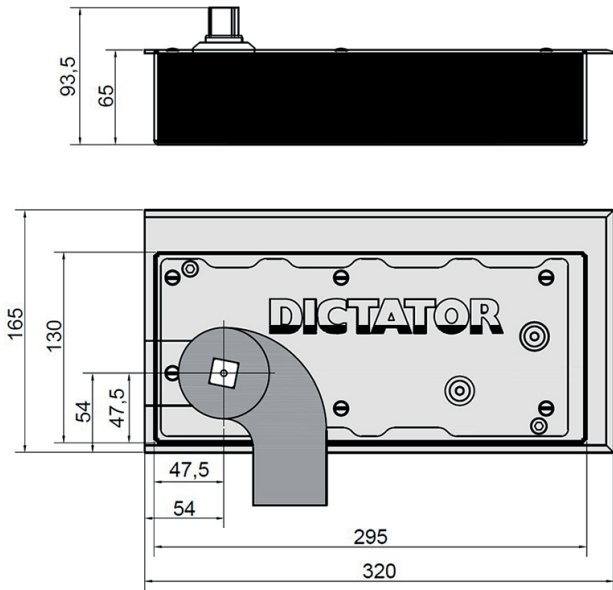
For this purpose, a straight strap is required as an accessory along with a swing hinge as the upper hinge.

Please make sure during installation that there is a stop installed in the closed position of the door. For double-leaf door systems, a separate door sequence control must be installed.

DIMENSIONS

All dimensions in mm

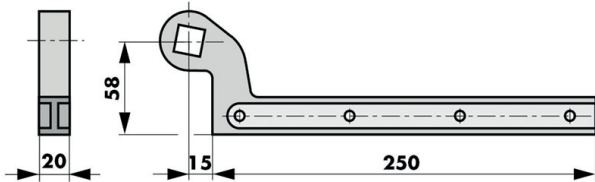
WAB 180 floor spring



Screw-on fittings

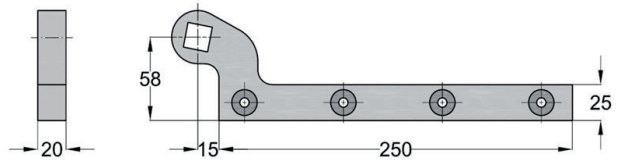
Strap 300 for screwing-on (below), for doors up to 300 kg

Part no. 460086-300



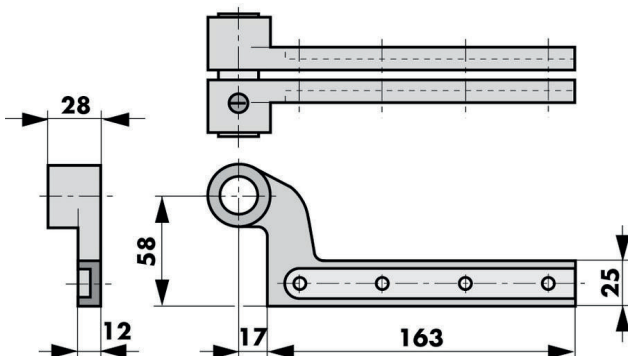
Strap 600 for screwing-on (below), for doors up to 600 kg

Part no. 460086-600



Pivot hinge for screwing-on (up)

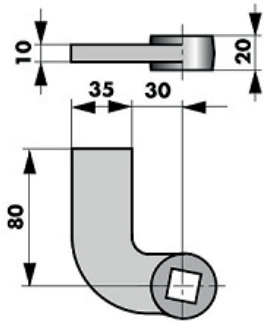
Part no. 460087 or 460094 for doors over 300 kg (with ball bearing)



Weld-on fittings for doors up to 300 kg

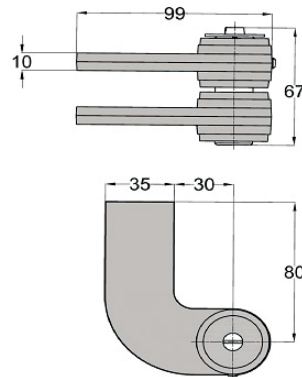
Strap 300 for welding-on (below)

Part no. 460088-300



Pivot hinge 300 for welding-on (up)

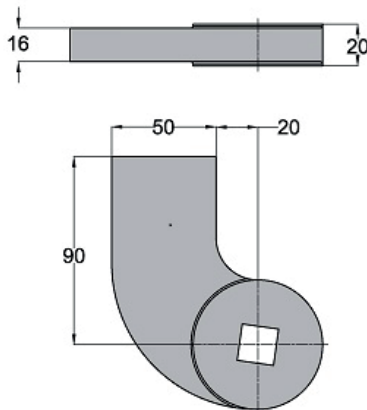
Part no. 460089-300



Weld-on fittings for doors up to 600 kg

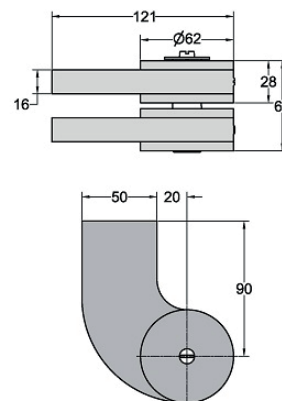
Strap 600 for welding-on (below)

Part no. 460088-600



Pivot hinge 600 for welding-on (up)

Part no. 460089-600 (with ball bearing)

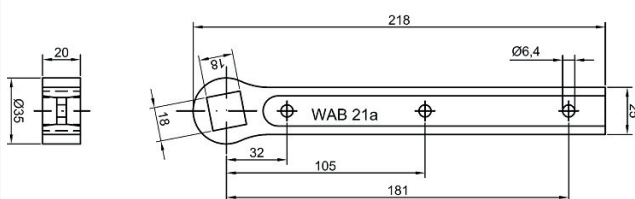


Screw-on fittings for floor springs WAB 180 sitting directly below the pivot

If the WAB 180 floor spring is installed directly below the door (pivot), the straight strap combined with the special swing hinge has to be chosen.

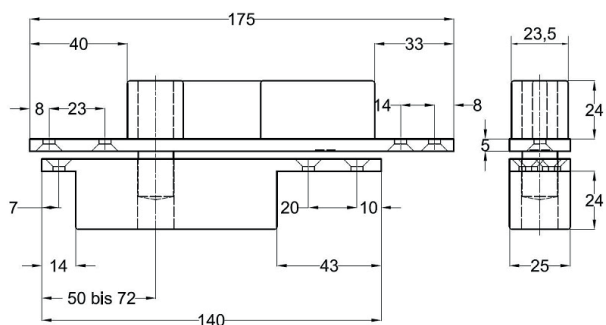
Straight strap for screwing-on (below) for doors up to 600 kg

Part no. 460090



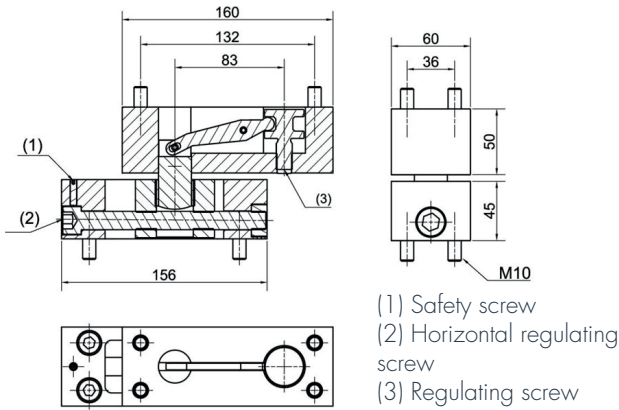
Swing hinge 300 for screwing-on (up) for doors up to 300 kg

Part no. 460091-300



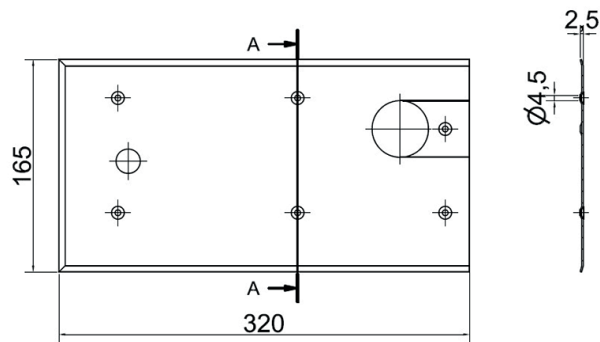
Swing hinge 600 for screwing-on (up) for doors up to 600 kg

Part no. 460091-600

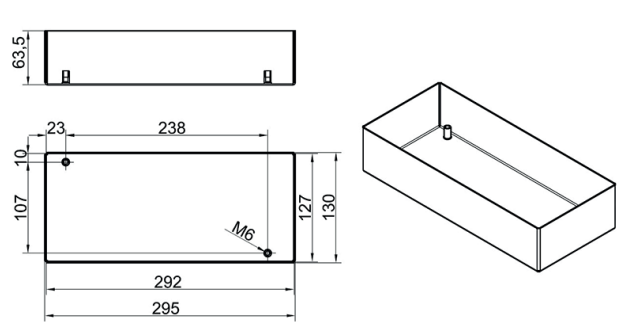


Other accessories

Cover plate DIN right (DIN left mirrored)



Embedding box DIN right (DIN left mirrored)



ORDER INFORMATION

Description	Part no.
WAB 180-2 floor spring, size II, for doors DIN left, incl. embedding box	460002-2
WAB 180-2 floor spring, size II, for doors DIN right, incl. embedding box	460012-2
WAB 180-2 floor spring, size III, for doors DIN left, incl. embedding box	460003-2
WAB 180-2 floor spring, size III, for doors DIN right, incl. embedding box	460013-2
WAB 180-2 floor spring, size IV, for doors DIN left, incl. embedding box	460004-2
WAB 180-2 floor spring, size IV, for doors DIN right, incl. embedding box	460014-2
WAB 180-2 floor spring, size V, for doors DIN left, incl. embedding box	460005-2
WAB 180-2 floor spring, size V, for doors DIN right, incl. embedding box	460015-2
WAB 180-2 floor spring, size VI with special bearing for doors DIN left, incl. embedding box	460056-2
WAB 180-2 floor spring, size VI for doors DIN right, incl. embedding box	460066-2
WAB 180-2 floor support with special bearing, for doors DIN left, incl. embedding box	460071-2
WAB 180-2 floor support, for doors DIN right, incl. embedding box	460070-2
WAB 180-2A floor spring, size II, for doors DIN left, without embedding box, replacement for WAB 180 with cast-iron casing	460002OZ-2A
WAB 180-2A floor spring, size II, for doors DIN right, without embedding box, replacement for WAB 180 with cast-iron casing	460012OZ-2A
WAB 180-2A floor spring, size III, for doors DIN left, without embedding box, replacement for WAB 180 with cast-iron casing	460003OZ-2A
WAB 180-2A floor spring, size III, for doors DIN right, without embedding box, replacement for WAB 180 with cast-iron casing	460013OZ-2A
WAB 180-2A floor spring, size IV, for doors DIN left, without embedding box, replacement for WAB 180 with cast-iron casing	460004OZ-2A
WAB 180-2A floor spring, size IV, for doors DIN right, without embedding box, replacement for WAB 180 with cast-iron casing	460014OZ-2A
WAB 180-2A floor spring, size V, for doors DIN left, without embedding box, replacement for WAB 180 with cast-iron casing	460005OZ-2A
WAB 180-2A floor spring, size V, for doors DIN right, without embedding box, replacement for WAB 180 with cast-iron casing	460015OZ-2A
WAB 180-2A floor spring, size VI with special bearing for doors DIN left, without embedding box, replacement for WAB 180 with cast-iron casing	460056OZ-2A
WAB 180-2A floor spring, size VI for doors DIN right, without embedding box, replacement for WAB 180 with cast-iron casing	460066OZ-2A

ACCESSORIES

Description	Part no.
Brass cover plate DIN left for WAB 180-2 floor spring	460082-2
Brass cover plate DIN right for WAB 180-2 floor spring	460083-2
Stainless steel cover plate DIN left for WAB 180-2 floor spring	460084-2
Stainless steel cover plate DIN right for WAB 180-2 floor spring	460085-2
Door strap 300 for wooden doors, zinc-plated, for doors up to 300 kg	460086-300
Door strap 600 for wooden doors, zinc-plated, for doors up to 600 kg	460086-600
Pivot hinge for wooden doors	460087
Pivot hinge for wooden doors > 300 kg with additional needle bearing for the WAB 180 floor spring	460094
Door strap 300 to weld-in, for doors up to 300 kg	460088-300
Door strap 600 to weld-in, for doors up to 600 kg	460088-600
Pivot hinge to weld-in 300 for doors up to 300 kg	460089-300
Pivot hinge to weld-in 600 for doors up to 600 kg	460089-600
Straight strap for screwing on, with square size 18	460090
Pivot hinge for wooden doors, for WAB 180 floor spring, for combination with straight door strap, to be screwed on, for doors up to 300 kg	460091-300
Pivot hinge 600 for wooden doors, for WAB 180 floor spring, for combination with straight door strap, to be screwed on, for doors up to 600 kg	460091-600
Paraffin to seal off the embedding box	460097
Brass cover plate DIN left	460082
Brass cover plate DIN right	460083
Stainless steel cover plate DIN left for WAB 180 floor spring	460084
Stainless steel cover plate DIN right for WAB 180 floor spring	460085