

Closing spring D2a / D4

Closing spring with operating arm



Website

CHARACTERISTICS

- Simple and affordable closing device
- Apt for nearly every door
- Adjustable spring force
- Available with different spring forces

TYPES

- **D2a:** for light doors
- **D4:** for heavier doors
- **Stainless steel models:** for outside doors or doors in humid environments

FUNCTIONING

- The adjustable spring force is transferred to the door by an operating arm running on a small roller fixed to the door
- The spring arm can be folded up so that the function of the closing spring can be temporarily suspended and the door remains open

In addition to the closing spring Adjunkt D2a/Adjunkt D4, the use of a DICTATOR door damper is recommended so that the door is damped and closes gently and doesn't slam shut.



TECHNICAL DATA

Closing force	10 - 50 Nm
Material	steel nickel-plated; stainless steel AISI 304
Components included	closing spring; roller; tensioning pin

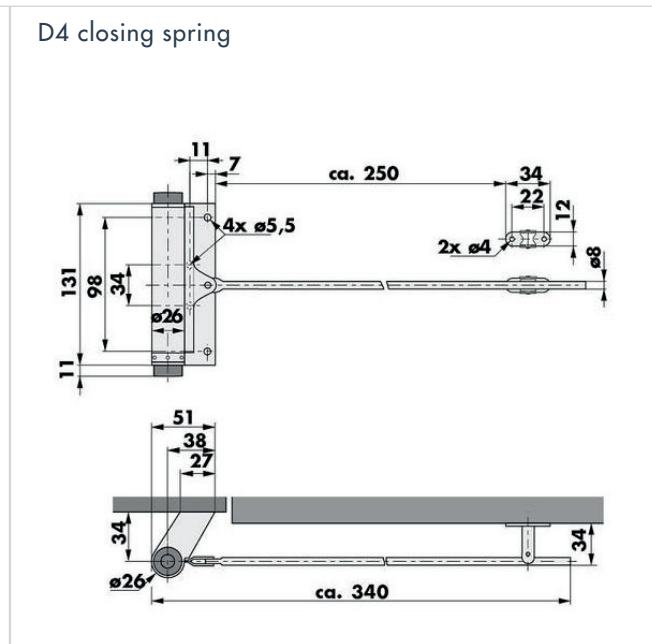
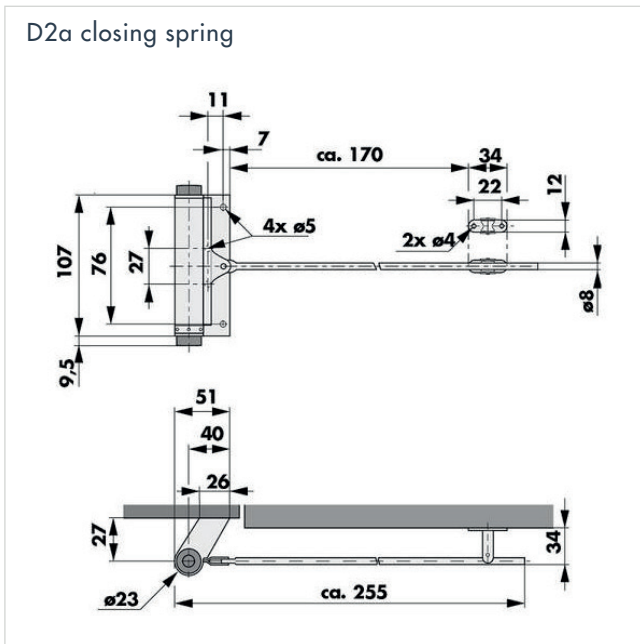
INSTALLATION



Installation instructions

DIMENSIONS

All dimensions in mm



ORDER INFORMATION

Description	Part no.
D2a closing spring with operating arm, nickel-plated	300300
D2a closing spring with operating arm, stainless steel	300308
D4 closing spring with operating arm, nickel-plated	300320
D4 closing spring with operating arm, stainless steel	300328