

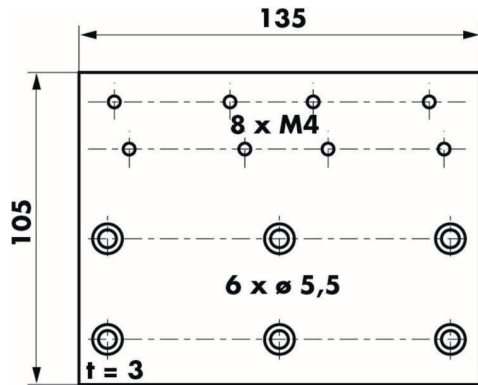


## INSTALLATION ACCESSORIES

All dimensions in mm

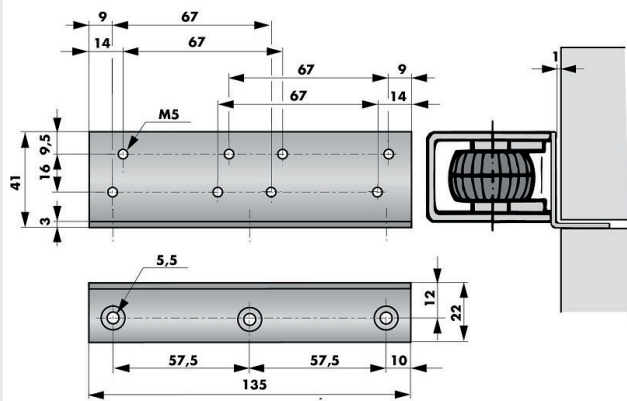
Mounting plate for horizontal installation on aluminium doors

Part no. 205279



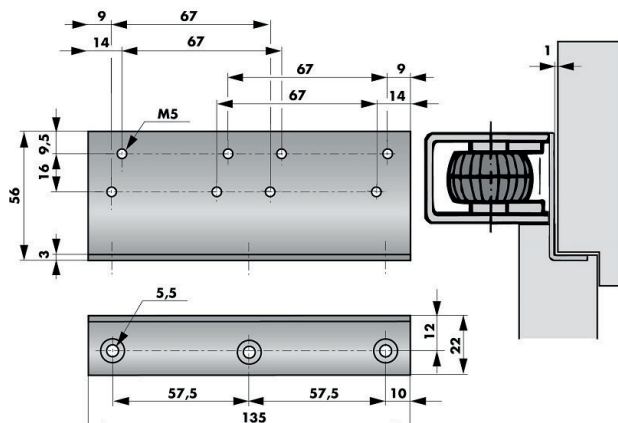
Mounting bracket for horizontal installation on flush doors

Part no. 205221



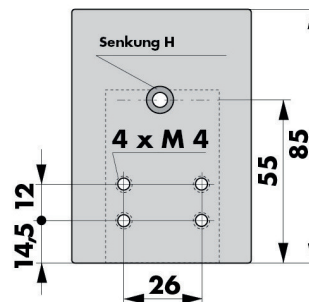
Mounting bracket for horizontal installation on overlapping doors

Part no. 205220



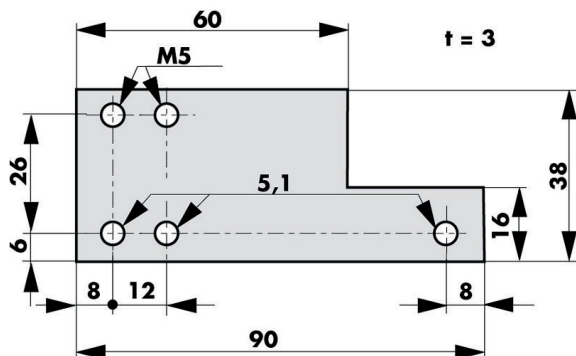
Mounting plate for the hook

Part no. 205232



Mounting plate for horizontal installation of hook

Part no. 205256



**ORDER INFORMATION**

Force	Chromium plated	Satin chrome	RAL 9010 white	RAL 8017 brown	RAL 9005 black	RAL 9006 grey
						
20 N	300575	300575X	300520	300556	*	*
35 N	300570	300570X	*	*	*	*
50 N	300500	300500X	300511	300525	300516	300512
80 N	300550	300550X	300554	*	*	*
115 N	300560	300560X	300564	*	*	*
* On request For larger quantities, other colors are also possible on request.						

**ACCESSORIES**

Description	Part no.
Mounting plate for horizontal installation of VS 2000 door damper on aluminium doors, with 4 screws M4 x 6, zinc-plated steel	205279
Mounting bracket for horizontal installation of VS 2000 door damper on flush doors, with 4 screws M5 x 6, zinc-plated steel	205221
Mounting bracket for horizontal installation of VS 2000 door damper on overlapping doors, with 4 screws M5 x 6, zinc-plated steel	205220
Mounting plate for horizontal installation of hook type 1020	205256
Set of spacers for VS 2000 (3 pieces, thickness: 2, 3 and 10 mm)	205268
Mounting plate for hook type 1020 for VS 2000, no fixing accessories	205232