

Door damper V 1600 for sliding doors

With a special mounting bracket for sliding doors



Website

CHARACTERISTICS

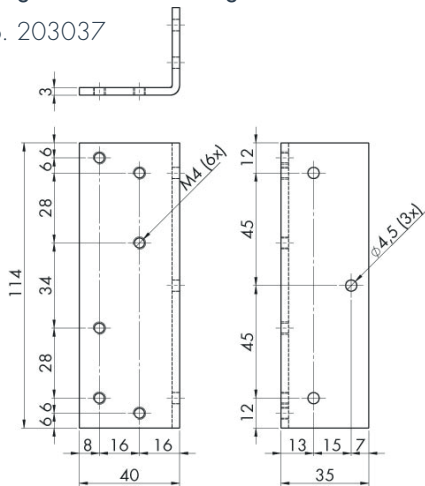
- Detailed information on the door damper V 1600 can be found on page 02.01.10
- The stainless steel mounting bracket allows its use on sliding doors
- The recommended force is usually 20 N, as otherwise the force required to open the door would be too high

DIMENSIONS

All dimensions in mm

Mounting bracket for sliding doors

Part no. 203037



INSTALLATION

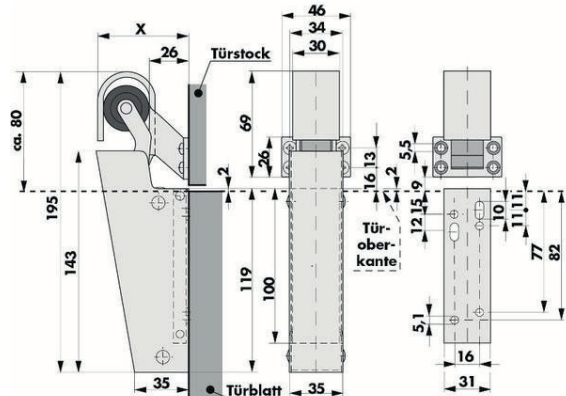


Installation instructions

Door damper V 1600

Dimension of X with

- hook 1009 for flush doors: X = 59
- hook 1013 for overlapping doors: X = 78
- hook 1011 for recessed doors: X = 39



ORDER INFORMATION

Description	Part no.
Mounting bracket sliding doors for V 1600, unequal angle (114 x 35 x 40 x 3 mm), stainless steel, with fastening material	203037