


## LANDING DOOR DAMPER



In hinged landing doors of the makes Otis & Stahl/Thyssen, a damper is used to dampen the door before the closed position.

It is often called "submarine". For replacement purposes DICTATOR supplies different versions of the ED STD3 landing door damper.

## TABLE OF CONTENTS - LANDING DOOR DAMPER

	Page
 Landing door damper ED STD3 ..... 01.06.04 For hinged lift doors of the makes Thyssen/Stahl & Otis	01.06.04

Subject to technical changes. No claim for compensation in case of errors.

# Landing Door Damper ED STD3

For hinged lift doors of the makes Thyssen/Stahl and Otis



Website

## DESCRIPTION

The DICTATOR ED STD3 hinged door damper is designed for the final damping of hinged landing doors being closed by a spring. The damper is installed in the door frame and is accessible through the lift shaft.

The piston rod of the damper points through the door frame and makes contact with the side of the closing door where the hinges are fixed. To protect the sheet steel on the door leaf from wear, a special hardened counter plate for the piston rod needs to be fixed to the point where the piston rod meets the door.

The ED STD3 damper works hydraulically. Its special feature is the oil tank on top which is connected to the damping cylinder. This guarantees that the ED STD3 slows down and effectively damps the door as soon as it hits the piston. If the cylinder consisted only of a simple tube, air in the cylinder could reduce the damping considerably.

Highest performance and a long operational life of the damper are achieved by a tempered guide for the piston rod in the damper and a set of special seals. A scraper ring of polyurethane prevents the soiling of the guiding and sealing elements.



## DIMENSIONS

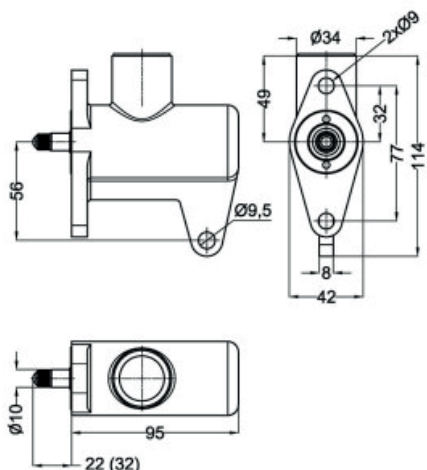
All dimensions in mm

## TECHNICAL DATA

Casing	aluminium
Closing speed	adjustable
Temperature range	0° to +50 °C
Door weight	max. 200 kg

### ED STD 3 landing door damper

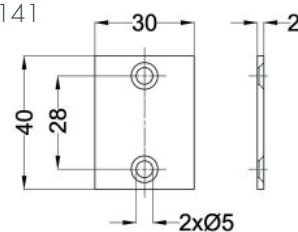
(Value in brackets applies to the ED STD 3 L)



### Rectangular counter plate

(especially for lift doors of make Stahl/Thyssen)

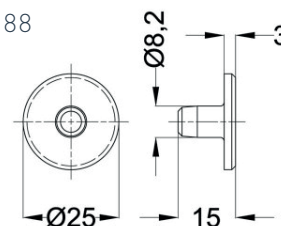
Art. no. 205141



### Round counter plate

(especially for lift doors of make Otis)

Art. no. 205188



## INSTALLATION



Installation instructions

## ORDER INFORMATION

Description	Part no.
Damper ED STD 3, with rectangular counter plate	203401
Damper ED STD 3L, with round counter plate (long piston rod)	203402

## ACCESSORIES

Description	Part no.
Rectangular counter plate for doors type „STAHL“	205141
Round counter plate for doors type „OTIS“	205188
Hydraulic oil for ED STD 3 (1 liter)	205099