

TUBE DOOR CLOSERS ATS



The tube door closers ATS are designed for concealed installation in the door leaf of hinged lift doors. The integrated spring closes the door hydraulically. The closing speed is adjustable to provide a secure, softly dampened closing with activating the door contacts. An integrated safety valve prevents any damage to the door closer whenever the door is forced to close. The main features that differentiate the different ATS tube door closers:

- **Installation position:** in the top of the door leaf (fixed from behind) or other positions (ATS with front plate, fixed from the front)
- **Articulation type** depending on hinges: suitable for pivot, construction or concealed hinges
- **Cylinder diameter** depending on thickness of the door leaf
- **Closing force** (length of the cylinder)

TABLE OF CONTENTS - TUBE DOOR CLOSERS ATS

	Page
 <p>Tube door closer ATS with front plate 01.04.04 For hinged lift doors with pivot hinges</p>	
 <p>Tube door closer ATS-O for installation on the upper part 01.04.05 For hinged lift doors with pivot hinges</p>	
 <p>Tube door closer ATS-K with front plate 01.04.06 For hinged lift doors with construction hinges</p>	
 <p>Tube door closer ATS-KO for installation on the upper part 01.04.07 For hinged lift doors with construction hinges</p>	
 <p>Tube door closer ATS-O for installation on the upper part 01.04.08 For hinged lift doors with concealed hinges</p>	

Door hinge	Door width (mm)	Door weight (kg)	Door thickness, inside (mm)	Type
Pivot hinge	700-900	60-70	>30	ATS 500/30
Pivot hinge	700-900	60-70	>35	ATS 500/35
Pivot hinge	900-1200	100-110	>30	ATS 600/30
Pivot hinge	900-1200	100-110	>35	ATS 600/35
Construction hinge	700-900	60-70	>30	ATS 500/30 K
Construction hinge	700-900	60-70	>35	ATS 500/35 K
Construction hinge	900-1200	100-110	>30	ATS 600/30 K
Construction hinge	900-1200	100-110	>35	ATS 600/35 K
Concealed hinges	600-800	60-70	>35	ATS 400/35 short
Concealed hinges	700-900	60-70	>35	ATS 400/35
Concealed hinges	900-1200	100-110	>35	ATS 800/35

Subject to technical changes. No claim for compensation in case of errors.

Tube door closer ATS with front plate

For hinged lift doors with pivot hinges



Website

DESCRIPTION

The concealed tube door closer ATS with front plate (Schnetz system) can be installed at any height in the door leaf because it is fixed and adjusted from the front. Due to the door closer's rigid articulation, it is essential to observe the dimensions and instructions given under 'Installation'. Otherwise the articulation may be damaged.

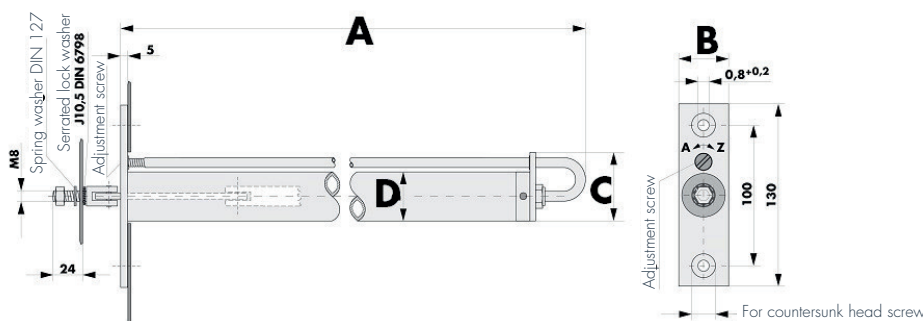


TECHNICAL DATA

Material	zinc-plated steel
Opening angle	max. 165°
Closing force	ATS 500: 10 Nm; ATS 600: 16 Nm
Type of doors	hinged lift door with pivot hinges
Temperature range	-15 °C to +40 °C
Opening force	ATS 500: 20 - 30 Nm; ATS 600: 30 - 40 Nm

DIMENSIONS

All dimensions in mm



INSTALLATION



Installation instructions

	ATS 500/30 A	ATS 500/35 A	ATS 600/30 A	ATS 600/35 A
Length A (mm)	500	500	550	550
Ø cylinder D (mm)	29	34	29	34
Front plate B (mm)	30	35	30	35
Plate C (mm)	47	49	47	49

ORDER INFORMATION

Description	Part no.
ATS 500/30 A tube door closer	400200
ATS 500/35 A tube door closer	400203
ATS 600/30 A tube door closer	400220
ATS 600/35 A tube door closer	400223

Tube door closer ATS-O for installation on the upper part



Website

For hinged lift doors with pivot hinges

DESCRIPTION

The ATS-O concealed tube door closer (Schnetz system) is installed in the door leaf from above. It is fixed and adjusted at its end. As the ATS door closers have a rigid articulation, it is essential to observe the mounting distances and instructions given under Installation. Otherwise the articulation will be damaged.

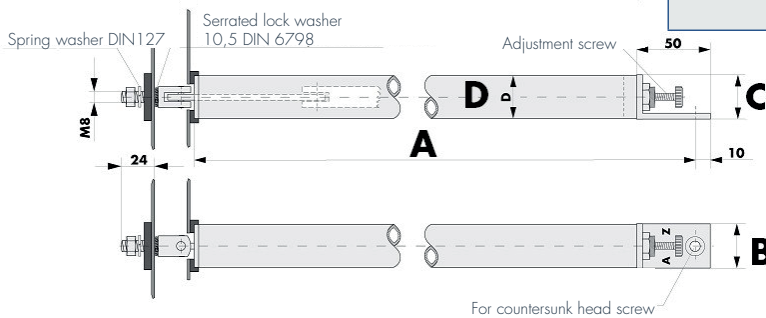


TECHNICAL DATA

Material	zinc-plated steel
Opening angle	max. 165°
Closing force	ATS 500: 10 Nm; ATS 600: 16 Nm
Type of doors	hinged lift door with pivot hinges
Temperature range	-15 °C to +40 °C
Opening force	ATS 500: 20 - 30 Nm; ATS 600: 30 - 40 Nm

DIMENSIONS

All dimensions in mm



INSTALLATION



Installation instructions

	ATS 500/35 O, A	ATS 600/30 O, A	ATS 600/35 O, A
Length A (mm)	500	551	551
∅ cylinder D (mm)	34	29	34
Bracket B/C (mm)	35/35	30/30	35/35

ORDER INFORMATION

Description	Part no.
ATS 500/35 O, A tube door closer	400204
ATS 600/30 O, A tube door closer	400238
ATS 600/35 O, A tube door closer	400224

Tube door closer ATS-K with front plate

For hinged lift doors with construction hinges



Website

DESCRIPTION

The ATS concealed tube door closer with front plate (Schnetz system) can be installed at any position in the door leaf because it is fixed and adjusted from the front. As the ATS door closers have a rigid articulation, it is essential to observe the mounting distances and instructions given under Installation. Otherwise the articulation will be damaged.

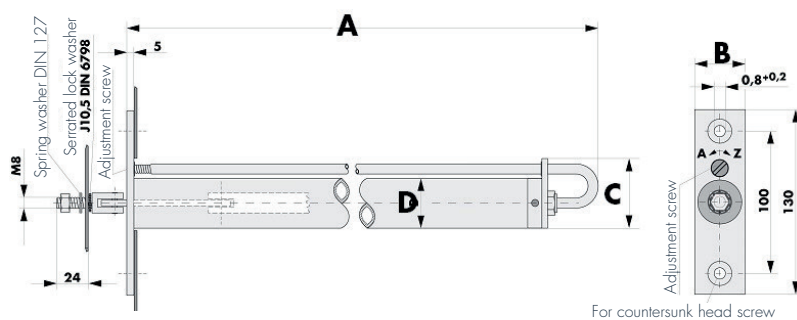


TECHNICAL DATA

Material	zinc-plated steel
Opening angle	max. 165°
Closing force	ATS 500: 10 Nm; ATS 600: 16 Nm
Type of doors	hinged lift door with construction hinges
Temperature range	-15 °C to +40 °C
Opening force	ATS 500: 20 - 30 Nm; ATS 600: 30 - 40 Nm

DIMENSIONS

All dimensions in mm



INSTALLATION



Installation instructions

	ATS 500/30 K, A	ATS 500/35 K, A	ATS 600/35 K, A
Length A (mm)	500	500	550
Ø cylinder D (mm)	29	34	34
Front plate B (mm)	30	35	35
Plate C (mm)	47	49	49

ORDER INFORMATION

Description	Part no.
ATS 500/30 K, A tube door closer	400201
ATS 500/35 K, A tube door closer	400205
ATS 600/35 K, A tube door closer	400225

Tube door closer ATS-KO for installation on the upper part



Website

For hinged lift doors with construction hinges

DESCRIPTION

The ATSKO concealed tube door closer (Schnetz system) is installed on the upper part of the door leaf. It is fixed and adjusted at its end. Because of its rigid articulation, it is essential to observe the installation dimensions and instructions given under 'Installation'. Otherwise the articulation may be damaged.

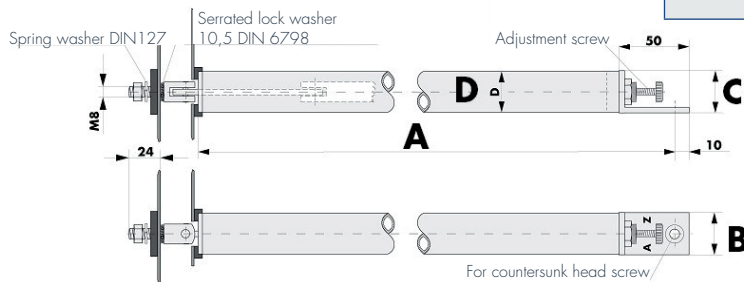


TECHNICAL DATA

Material	zinc-plated steel
Opening angle	max. 165°
Closing force	ATS 500: 10 Nm; ATS 600: 16 Nm
Type of doors	hinged lift door with construction hinges
Temperature range	-15 °C to +40 °C
Opening force	ATS 500: 20 - 30 Nm; ATS 600: 30 - 40 Nm

DIMENSIONS

All dimensions in mm



INSTALLATION



Installation instructions

	ATS 500/30 KO	ATS 500/35 KO	ATS 600/30 KO	ATS 600/35 KO
Length A (mm)	500	500	551	551
Ø cylinder D (mm)	29	34	29	34
Bracket B/C (mm)	30/30	35/35	30/30	35/35

ORDER INFORMATION

Description	Part no.
ATS 500/30 KO, A tube door closer	400202
ATS 500/35 KO, A tube door closer	400206
ATS 600/30 KO, A tube door closer	400222
ATS 600/35 KO, A tube door closer	400226

Tube door closer ATS-O for installation on the upper part



Website

For hinged lift doors with internal hinges

DESCRIPTION

The ATS-O concealed tube door closer (Schnetz system) is installed in the door leaf from above. It is fixed and adjusted at its end. As the ATS door closers have a rigid articulation, it is essential to observe the mounting distances and instructions given under Installation. Otherwise the articulation will be damaged.

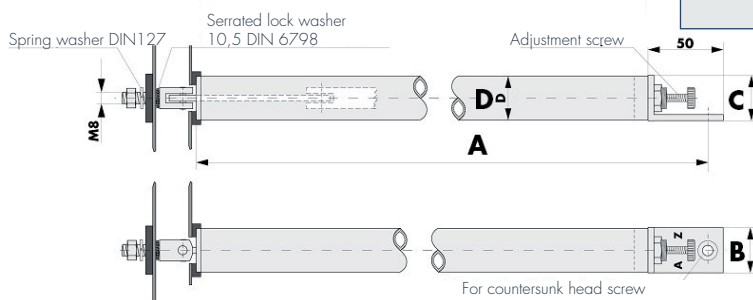


TECHNICAL DATA

Material	zinc-plated steel
Opening angle	max. 110°
Closing force	ATS 400: 12 Nm; ATS 400 MAN: 18 Nm; ATS 800: 18 Nm
Type of doors	hinged lift door with internal hinges
Temperature range	-15 °C to +40 °C
Opening force ATS 400/800	ATS 400: 20 - 30 Nm; ATS 400/35 MAN: 30 - 40 Nm; ATS 800/35 O, A: 30 - 40 Nm

DIMENSIONS

All dimensions in mm



INSTALLATION



Installation instructions

	ATS 400/35 O	ATS 400/35 O, AK	ATS 400/35, KL	ATS 400/35 O, MAN	ATS 800/35 O
Length A (mm)	500	420	320	520	551
∅ cylinder D (mm)	34	34	34	34	34
Bracket B/C (mm)	35/35 Length 50	35/35 Length 50	35/35 Length 50	35/35 Length 70	35/35 Length 50

ORDER INFORMATION

Description	Part no.
ATS 400 A tube door closer	400010
ATS 400 AK tube door closer, short	400011
ATS 400 KL tube door closer	400014
ATS 400 MAN tube door closer	400013
ATS 800 A tube door closer	400012

