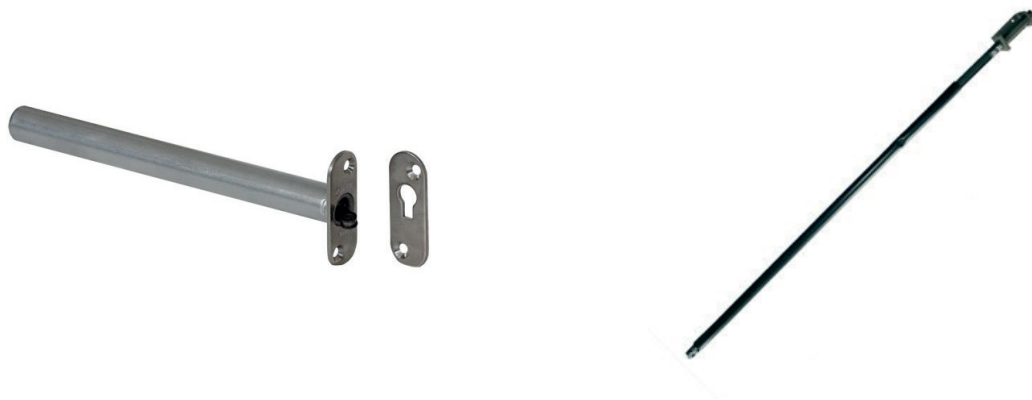


## CLOSING SPRINGS





As an accessory for DICTATOR lift door dampers, we offer a variety of closing springs. They ensure a reliable closing of hinged lift doors.

They ensure that hinged doors always close reliably.

In particular, the Concealed jamb closer E22/2550 can be retrofitted without any problems in most elevator revolving doors.

## TABLE OF CONTENTS - CLOSING SPRINGS

	Page
 Concealed jamb closer E22/2550 ..... Closing spring with counter plate	01.03.04
 Torsion spring ..... For installation in the door frame	01.03.05

Subject to technical changes. No claim for compensation in case of errors.

# Concealed Jamb Closer E22/2550

Closing spring with counter plate



Website

## DESCRIPTION

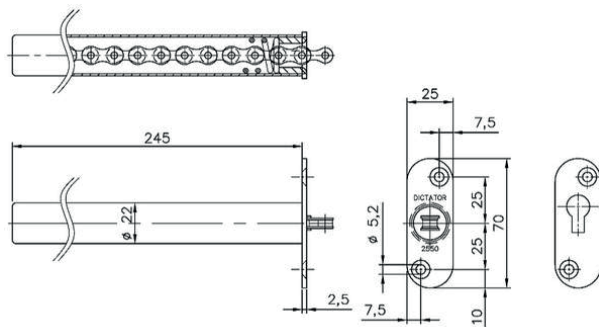
The concealed jamb closer E22/2550 can be installed at any height on the door as it is fixed from the front. The closing force can be adjusted with the connection chain. The closing force indicated is just an approximate value and it may vary depending on the lift door hinges. It can be used on flush and overlapping doors.

## DIMENSIONS

All dimensions in mm

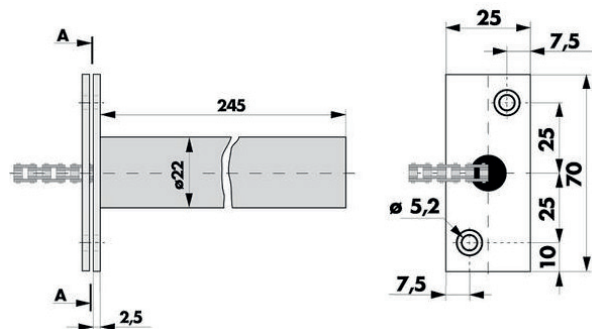
Concealed jamb closer E22/2250 with rounded plates

Part no. 300319



Concealed jamb closer E22/2250 with rounded plates

Part no. 300341



## TECHNICAL DATA

Material	spring tube of aluminium; front and counter plate zinc-plated steel; front and counter plate stainless steel
Opening angle	max. 180°
Closing force	15 - 30 Nm
Door types	hinged lift doors

## INSTALLATION



Installation instructions

## ORDER INFORMATION

Description	Part no.
E 22 concealed closing spring, rounded front plate from stainless steel	300319
E 22 concealed closing spring, with rectangular front plate	300341

# Torsion Spring

For installation in the door frame



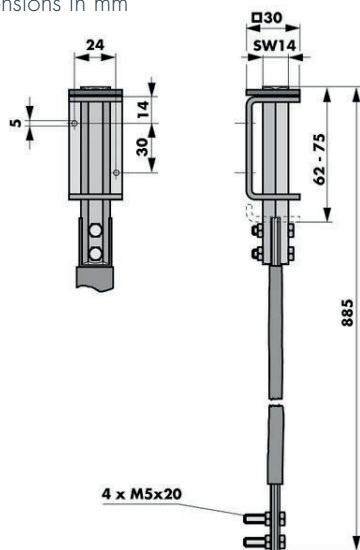
Website

## DESCRIPTION

The torsion spring is used as a simple closing device, especially on lift doors with concealed hinges. To avoid unnecessary noise, the spring leaves are covered with a flexible plastic tube.

## DIMENSIONS

All dimensions in mm



## TECHNICAL DATA

Material	spring steel (8 leaf springs), fixing bracket: zinc-plated steel
Closing force	adjustable
Type of doors	hinged lift doors

## INSTALLATION



Installation instructions

## ORDER INFORMATION

Description	Part no.
Torsion spring (closing spring)	103000